



1967-70 MUSTANG PS COND HARDLINE KIT

- LUBRICATE #6 & #8 O-RINGS (SEE FIGURE 1a, BELOW) AND INSTALL HARDLINES AS SHOWN IN FIGURE 1 BELOW. TIGHTEN FITTINGS AS SHOWN IN FIGURE 1a, BELOW.
- INSTALL #2 & #4 ADEL CLAMP ON HARDLINES AS SHOWN IN FIGURE 1.
- USING A 10/32 X 1/2 PAN HEAD SCREW AND A 10/32 NUT WITH STAR WASHER SECURE THE ADEL CLAMPS TOGETHER AS SHOWN IN FIGURE 1 BELOW.

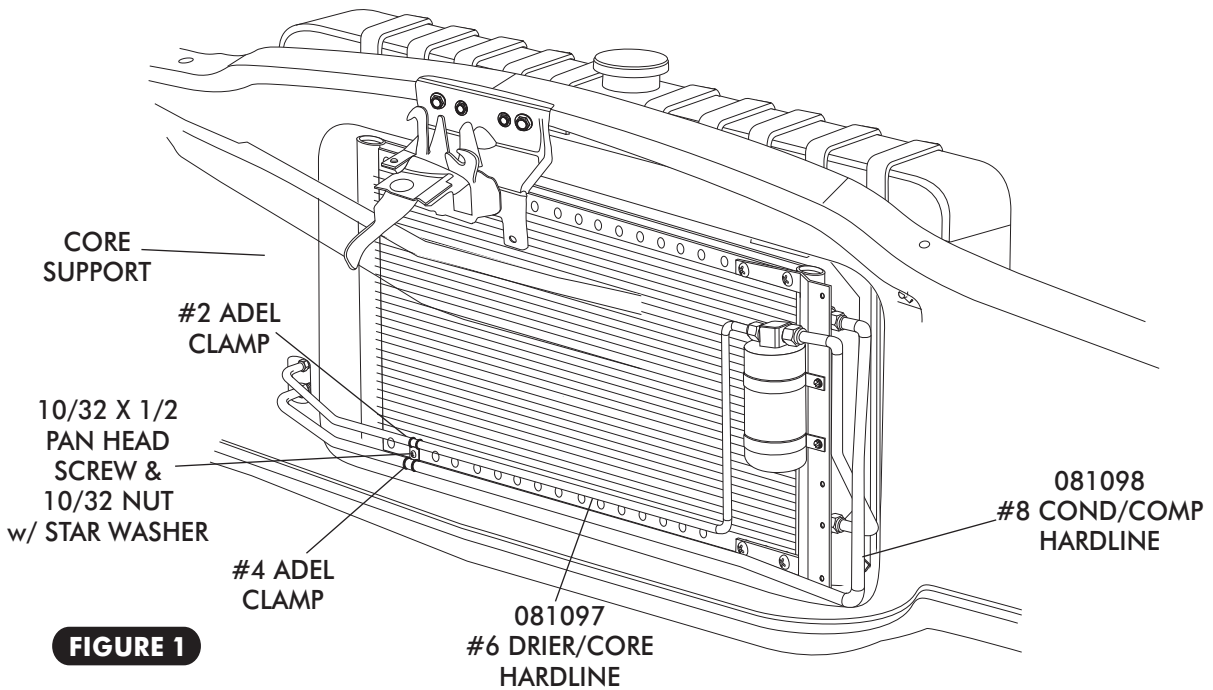


FIGURE 1

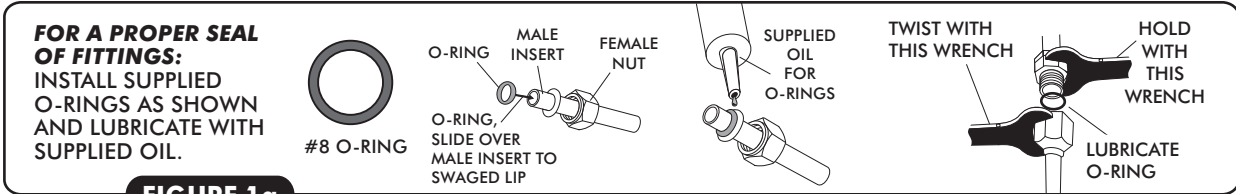


FIGURE 1a

1967-70 MUSTANG PS COND HARDLINE KIT PACKING LIST

**HARDLINE KIT
081069**

No.	QTY.	PART No.	DESCRIPTION	
1.	1	18250-VUB	10/32 X 1/2 PAN HEAD	
2.	1	18251-VUB	10/32 NUT w/STAR WASHER	
3.	1	33857-VUF	#6 O-RING	
4.	1	33858-VUF	#8 O-RING	
5.	1	081097	67-70 MUSTANG PS #6 DRIER/CORE HARDLINE	
6.	1	081098	67-70 MUSTANG PS #8 COND HARDLINE	
7.	1	31603-VUD	#4 ADEL CLAMP	
8.	1	31600-VUD	#2 ADEL CLAMP	

CHECKED BY: _____
 PACKED BY: _____
 DATE: _____

