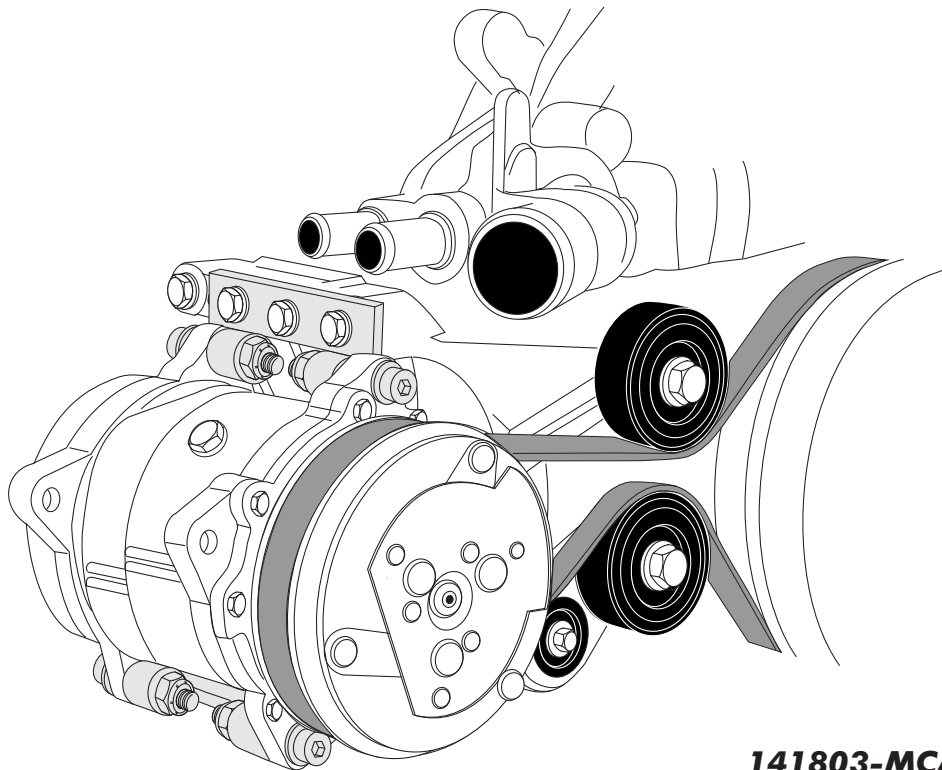




**1998-2002**  
**CAMARO**

LS 1 COMPRESSOR TO  
SANDEN COMPRESSOR CONVERSION  
**(USES SANDEN 508 REAR EXIT COMPRESSOR)**



**141803-MCA**



## Table of Contents

PAGES

- 1. COVER
- 2. TABLE OF CONTENTS
- 3. PACKING LIST
- 4. BRACKET INSTALLATION
- 5. INSTALLATION CONTINUED
- 6. PACKING LIST



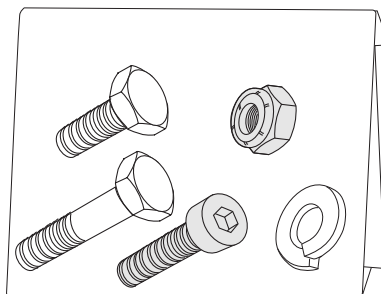
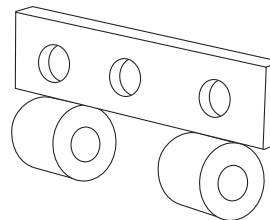
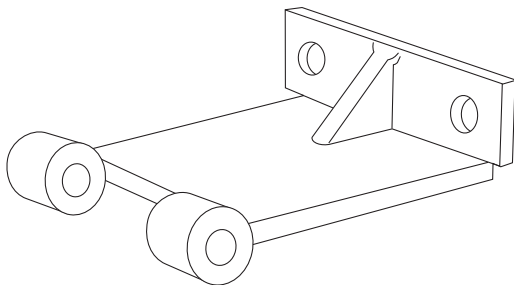
# LS 1 COMPRESSOR BRACKET CONVERSION KIT

## 1998-2002 LS 1 COMPRESSOR BRACKET CONVERSION KIT PACKING LIST

BRACKET KIT  
141803-MCA

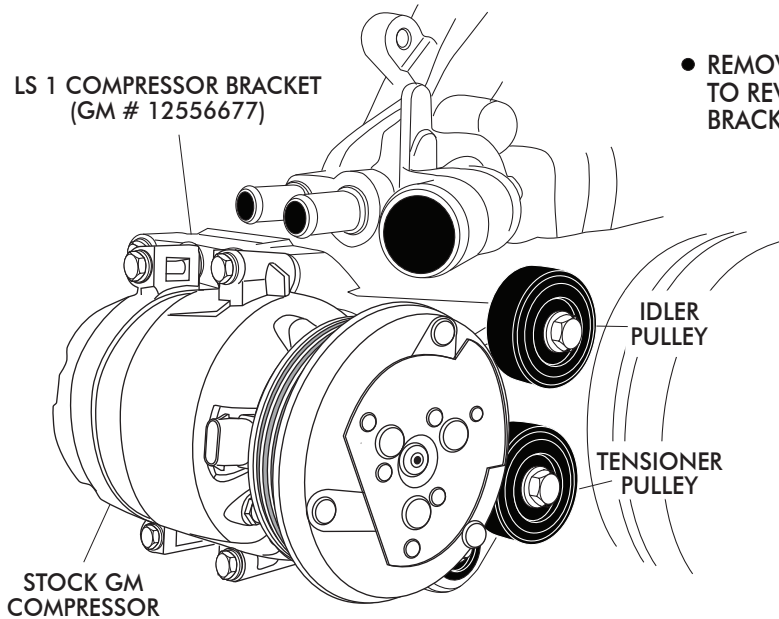
No.	QTY.	PART No.	DESCRIPTION
1.	1	141800-MCR	LOWER COMPRESSOR MNTG. BRKT.
2.	1	141801-MCR	UPPER COMPRESSOR MNTG. BRKT.
3.	1	199803-HCA	HARDWARE KIT

**\*\* BEFORE BEGINNING INSTALLATION, OPEN ALL PACKAGES AND CHECK CONTENTS OF SHIPMENT. PLEASE REPORT ANY SHORTAGES DIRECTLY TO VINTAGE AIR WITHIN 15 DAYS. AFTER 15 DAYS, VINTAGE AIR WILL NOT BE RESPONSIBLE FOR MISSING OR DAMAGED ITEMS.**



**1998-2002 CAMARO  
 LS 1 COMPRESSOR TO  
 SANDEN COMPRESSOR CONVERSION  
 (MUST USE SANDEN 508 REAR EXIT COMPRESSOR)**

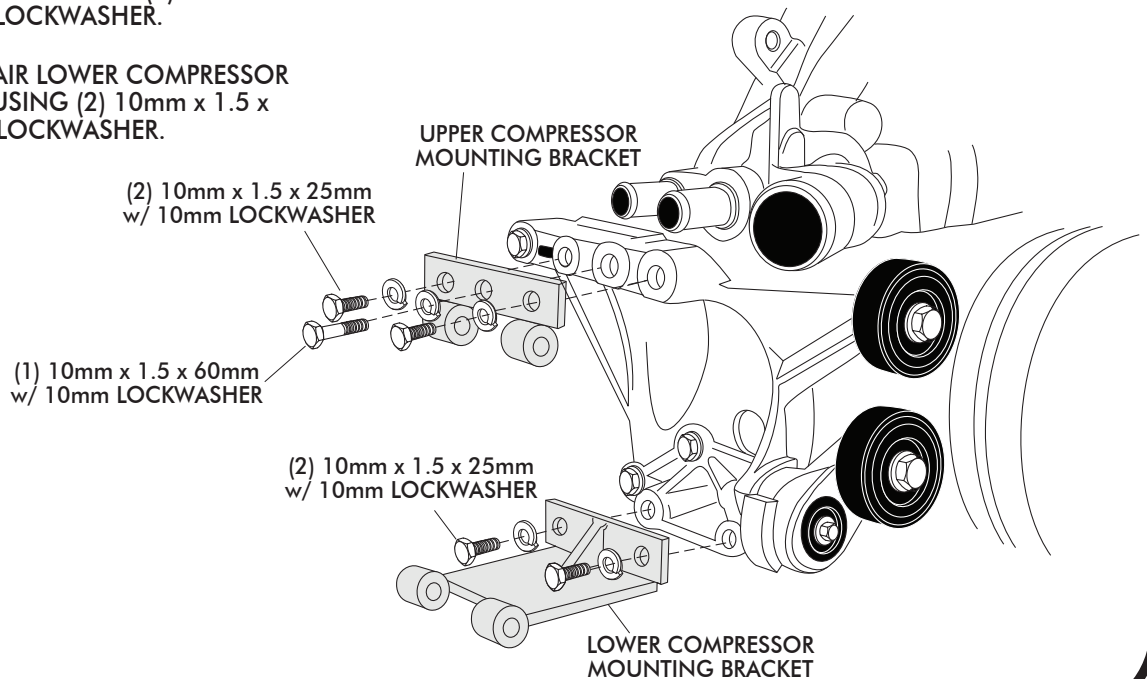
LS 1 COMPRESSOR BRACKET  
 (GM # 12556677)



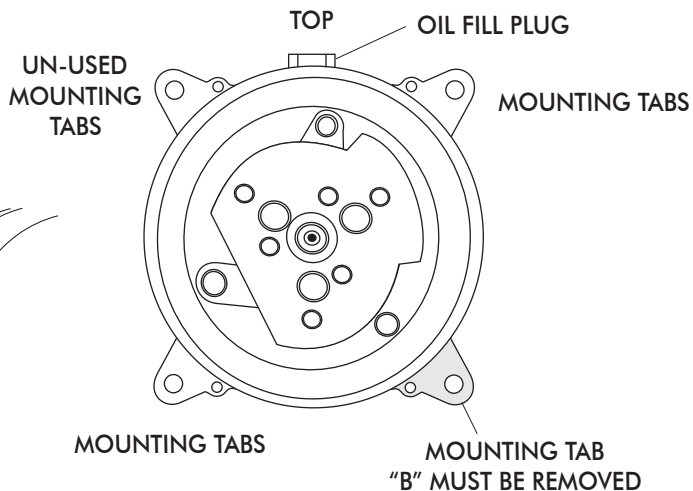
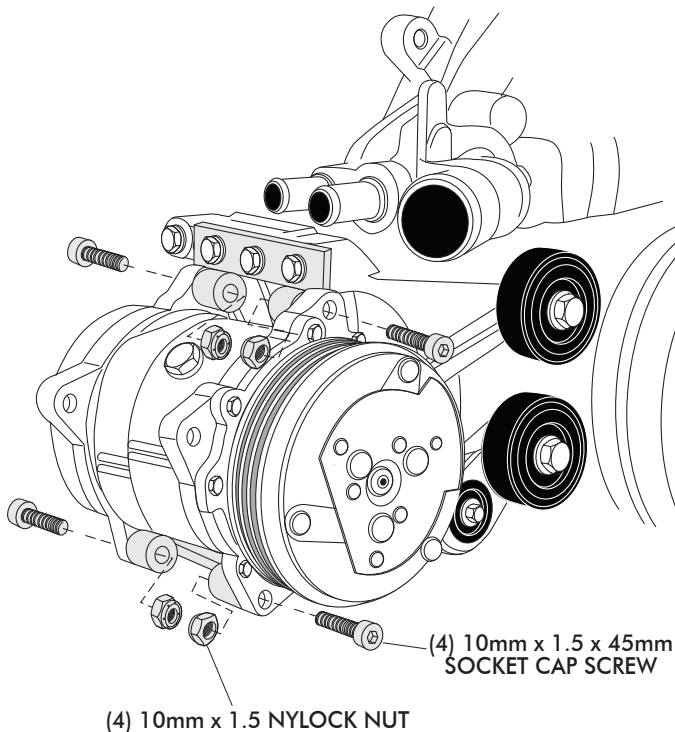
- REMOVE STOCK GM COMPRESSOR AND HARDWARE TO REVEAL STOCK CAMARO LS1 COMPRESSOR MOUNTING BRACKET. **(NOTE: LS 1 COMPRESSOR BRACKET NOT INCLUDED WITH KIT.)**

**BRACKET INSTALLATION**

- INSTALL THE VINTAGE AIR UPPER COMPRESSOR MOUNTING BRACKET USING (1) 10mm x 1.5 x 60mm BOLT w/ 10mm LOCKWASHER AND (2) 10mm x 1.5 x 25mm BOLT w/ 10mm LOCKWASHER.
- INSTALL THE VINTAGE AIR LOWER COMPRESSOR MOUNTING BRACKET USING (2) 10mm x 1.5 x 25mm BOLT w/ 10mm LOCKWASHER.

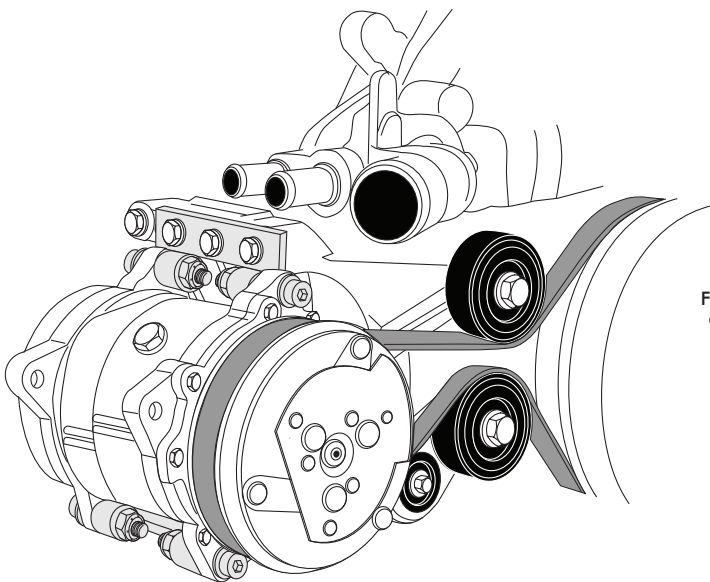


**COMPRESSOR MODIFICATION/INSTALLATION**



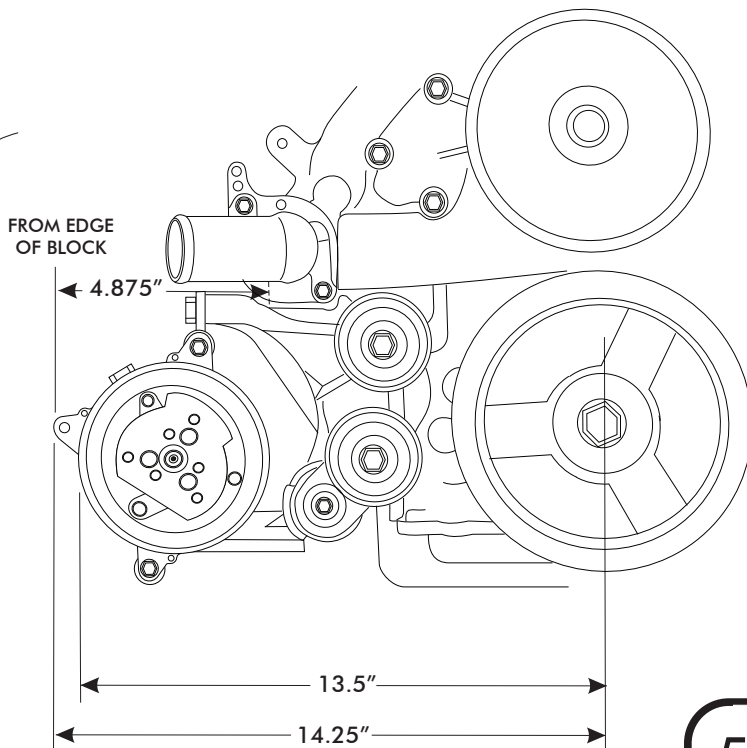
- INSTALL THE SANDEN 508 REAR EXIT COMPRESSOR USING (4) 10mm x 1.5 x 45mm SOCKET CAP SCREW AND 10mm x 1.5 NYLOCK NUT.
- NOTE: MOUNTING TAB "B" MUST BE CUT OFF. IN SOME APPLICATIONS, UN-USED COMPRESSOR MOUNTING TABS MUST BE CUT OFF TO CLEAR FRAME OF VEHICLE.
- NOTE: OIL FILL PLUG MUST BE UP. (AS SHOWN)

**BELT INSTALLATION**



- INSTALL BELT, CENTER THE BELT ON COMPRESSOR PULLEY. NOTE: ROUTE BELT OVER REAR PULLEY OF THE CRANKSHAFT PULLEY ASSEMBLY
- WE RECOMMEND A GOODYEAR 4-GROOVE BELT PART # 4040435 (BELT LENGTH 43.5")

**CAMARO - LS 1**





LS 1 COMPRESSOR BRACKET CONVERSION KIT

**1998-2002 LS 1 COMPRESSOR  
BRACKET CONVERSION KIT PACKING LIST**

**BRACKET KIT  
141803-MCA**

No.	QTY.	PART No.	DESCRIPTION
1.	1	141800-MCR	LOWER COMPRESSOR MNTG. BRKT.
2.	1	141801-MCR	UPPER COMPRESSOR MNTG. BRKT.
3.	1	199803-HCA	HARDWARE KIT

CHECKED BY: \_\_\_\_\_  
 PACKED BY: \_\_\_\_\_  
 DATE: \_\_\_\_\_

