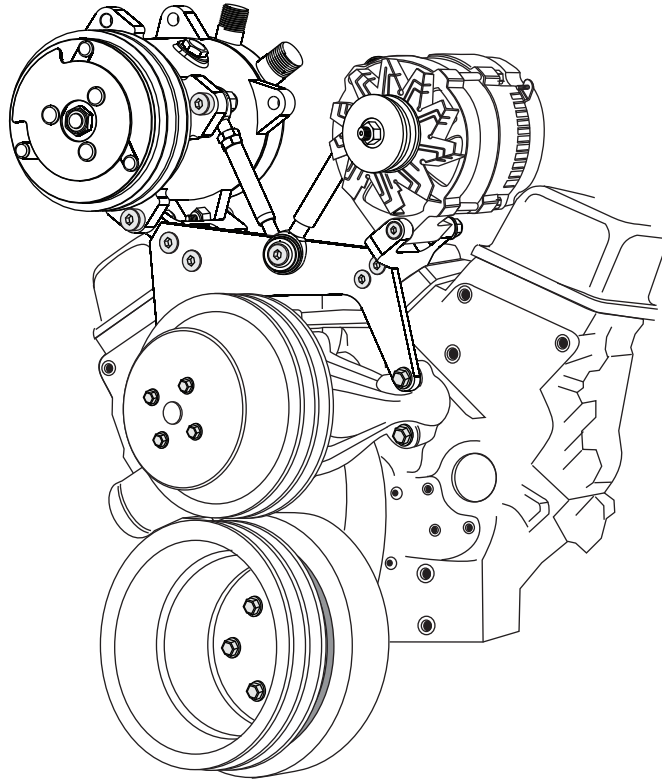




an ISO 9001:2015 Registered Company

**SMALL BLOCK CHEVY
PROLINE BRACKET
SHORT PUMP
(172170-SCQ)**



**18865 Goll St. San Antonio, TX 78266
Phone: 800-862-6658
Sales: sales@vintageair.com
Tech Support: tech@vintageair.com
www.vintageair.com**



Table of Contents

PAGES

1. COVER
2. TABLE OF CONTENTS
3. PACKING LIST
4. PROLINE MOUNTING BRACKET ASSEMBLY
5. COMPRESSOR BRACKET INSTALLATION
6. COMPRESSOR BRACKET INSTALLATION CONT.
7. COMPRESSOR INSTALLATION
8. EARLY MODEL ALTERNATOR INSTALLATION
9. EARLY MODEL ALTERNATOR INSTALLATION CONT.
10. LATE MODEL ALTERNATOR INSTALLATION
11. LATE MODEL ALTERNATOR CONT.
12. PACKING LIST

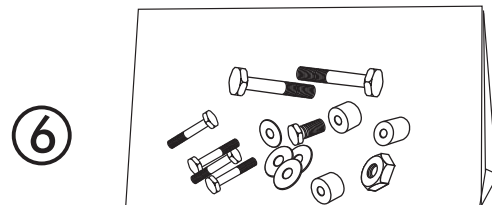
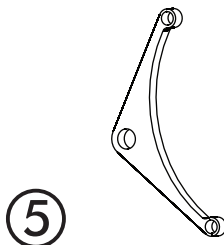
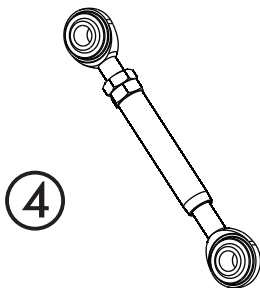
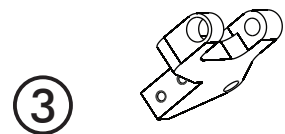
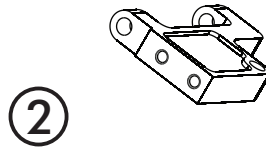
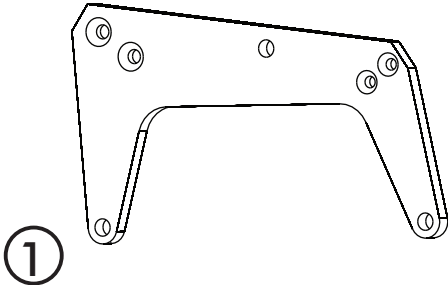


**SMALL BLOCK CHEVY PROLINE BRACKET
SHORT PUMP**

(172170-SCQ) PACKING LIST

No.	QTY.	PART No.	DESCRIPTION
1.	1	176000-SCR	PROLINE MAIN BRKT
2.	1	176002-SCR	PROLINE COMPRESSOR BRKT
3.	1	176001-SCR	PROLINE ALTERNATOR BRKT
4.	2	16500-VUQ	3/8 x 3/8 S.S. ADJUSTER
5.	1	176003-SCR	ALTERNATOR ADJUSTER BRKT
6.	1	193000-HCQ	PROLINE SHORT PUMP HARDWARE KIT

**** BEFORE BEGINNING INSTALLATION OPEN ALL PACKAGES AND CHECK CONTENTS OF SHIPMENT. PLEASE REPORT ANY SHORTAGES DIRECTLY TO VINTAGE AIR WITHIN 15 DAYS. AFTER 15 DAYS, VINTAGE AIR WILL NOT BE RESPONSIBLE FOR MISSING OR DAMAGED ITEMS.**





SMALL BLOCK CHEVY S/P PROLINE BRACKET

INSTALLATION INSTRUCTIONS

PROLINE BRACKET ASSEMBLY

- USING (2) 5/16 -18 x 3/4" S.S. FLT SKT MS, INSTALL THE PROLINE COMPRESSOR BRACKET TO THE PROLINE MAIN BRACKET. SEE FIGURE 1, BELOW.
- USING (2) 1/4-20 x 3/4" S.S. FLT SKT MS, INSTALL THE PROLINE ALTERNATOR BRACKET TO THE PROLINE MAIN BRACKET. SEE FIGURE 1, BELOW.
- USING A 3/8-18 x 1 1/4" S.S. SHOULDER BOLT AND 5/16 LOCK-NUT INSTALL THE (2) 3/8 x 3/8 S.S. ADJUSTERS TO THE PROLINE MAIN BRACKET. SEE FIGURE 1a, BELOW.

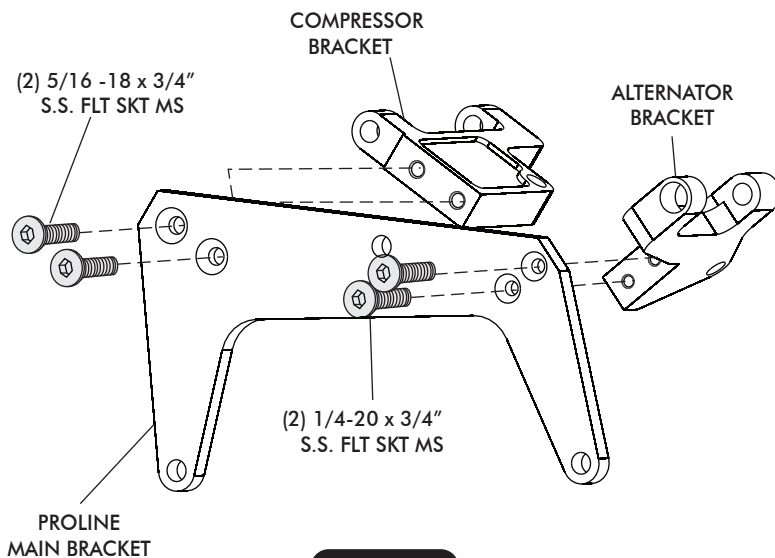
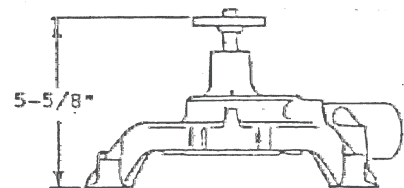


FIGURE 1



SHORT WATER PUMP
GM #3998206

NOTE: VINTAGE AIR RECOMMENDS THESE GM PULLEYS

WATER PUMP PULLEY GM #3995643
CRANKSHAFT PULLEY GM #3744043

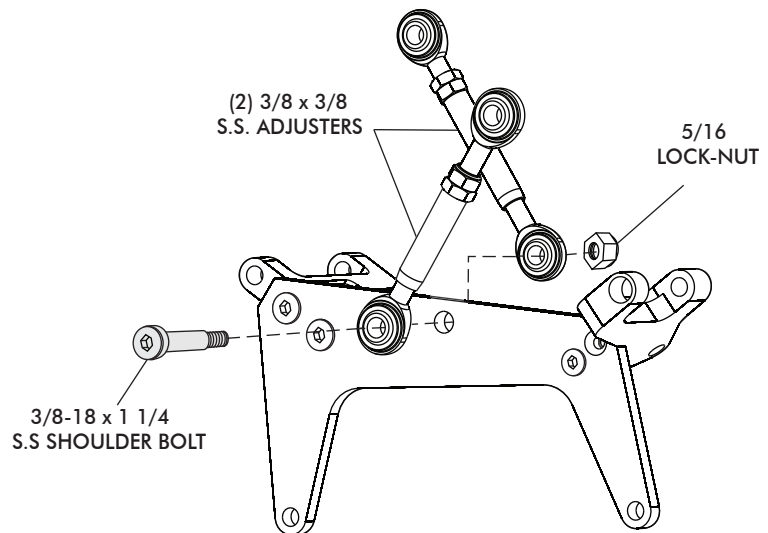


FIGURE 1a



COMPRESSOR MOUNTING BRACKET INSTALLATION

- REMOVE THE TOP TWO WATER PUMP MOUNTING BOLTS AND THE FRONT TWO INTAKE MANIFOLD MOUNTING BOLTS. (DISCARD) SEE FIGURE 2, BELOW.

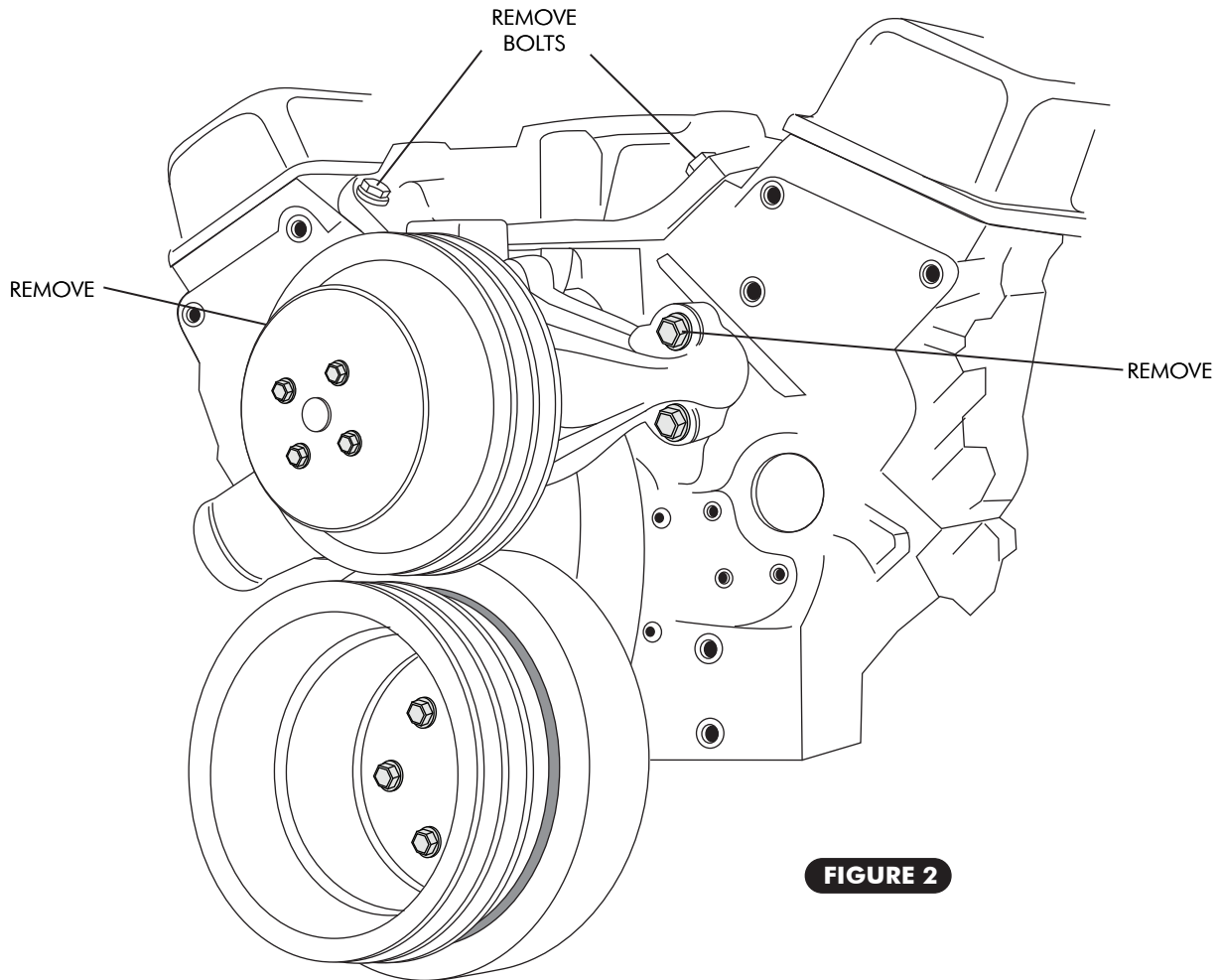
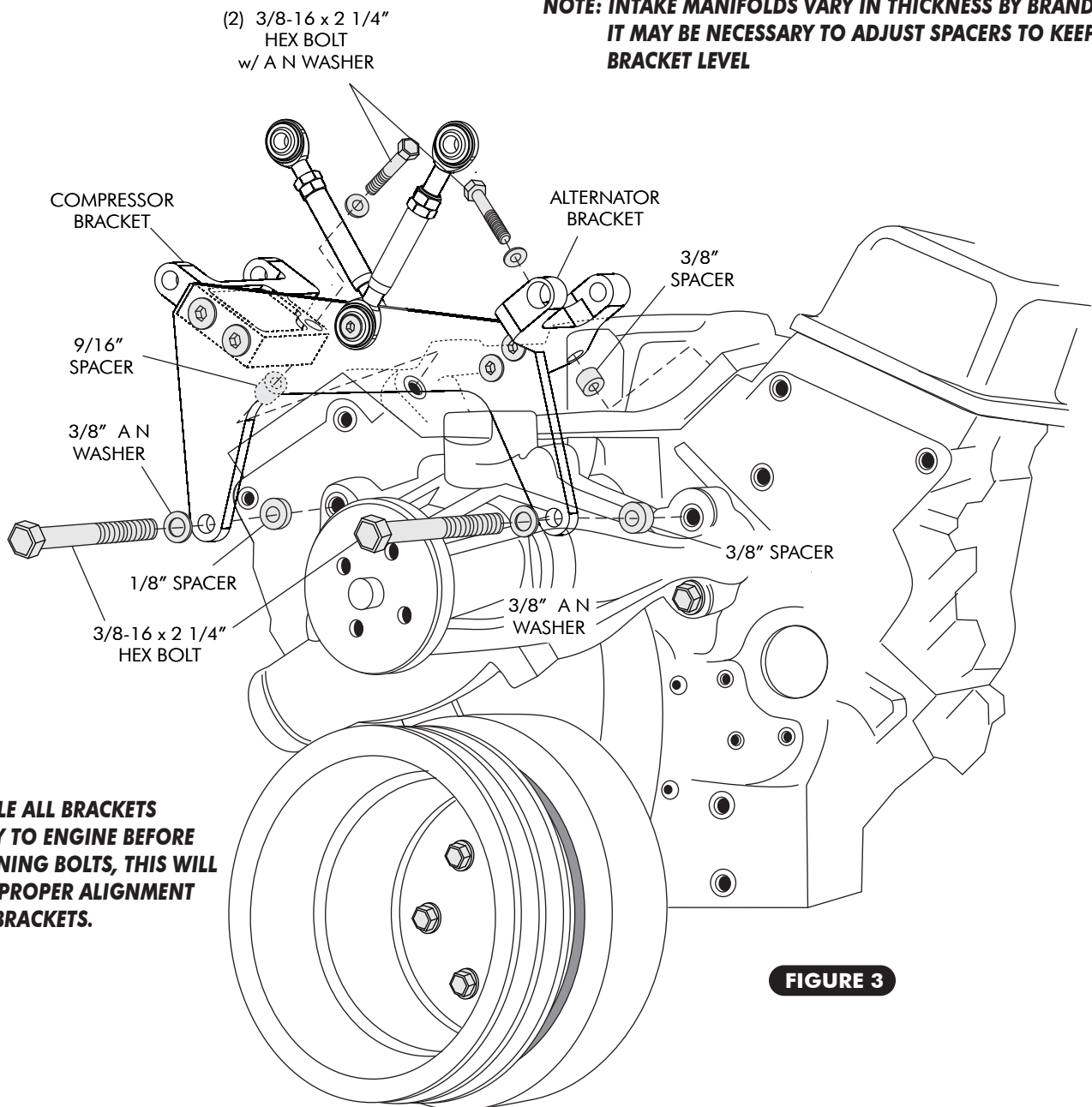


FIGURE 2

- USE (2) 3/8-16 x 2 1/4" HEX BOLTS WITH 3/8 A N WASHERS, INSTALL THE PROLINE MAIN BRACKET. PLACE THE 1/8" SPACER BETWEEN THE TOP PASSENGER SIDE WATER PUMP MOUNTING HOLE AND THE PROLINE MAIN BRACKET.
- PLACE THE 3/8" SPACER BETWEEN THE TOP DRIVER SIDE WATER PUMP MOUNTING HOLE AND THE PROLINE MAIN BRACKET. SEE FIGURE 3, BELOW.
- PLACE THE 9/16" SPACER BETWEEN THE FRONT PASSENGER SIDE INTAKE MANIFOLD MOUNTING HOLE AND THE COMPRESSOR MOUNTING BRACKET. SECURE THE COMPRESSOR MOUNTING BRACKET TO THE INTAKE THROUGH THE INTAKE MANIFOLD USING A 3/8-16 x 2 1/4" HEX BOLT AND A N WASHER. SEE FIGURE 3 BELOW.
- PLACE THE 3/8" SPACER BETWEEN THE FRONT DRIVER SIDE INTAKE MANIFOLD MOUNTING HOLE AND THE ALTERNATOR MOUNTING BRACKET. SECURE THE ALTERNATOR MOUNTING BRACKET THROUGH THE INTAKE MANIFOLD USING A 3/8-16 x 2 1/4" HEX BOLT AND AN WASHER. SEE FIGURE 3 BELOW.

NOTE: INTAKE MANIFOLDS VARY IN THICKNESS BY BRAND. IT MAY BE NECESSARY TO ADJUST SPACERS TO KEEP BRACKET LEVEL



**NOTE:
ASSEMBLE ALL BRACKETS
LOOSELY TO ENGINE BEFORE
TIGHTENING BOLTS, THIS WILL
INSURE PROPER ALIGNMENT
OF ALL BRACKETS.**

FIGURE 3



COMPRESSOR INSTALLATION

- INSTALL COMPRESSOR USING (2) 1.5 x 45mm SOCKET CAP SCREWS AND 10mm LOCK-NUTS TO SECURE THE BOTTOM OF THE COMPRESSOR TO THE COMPRESSOR MOUNTING BRACKET. SEE FIGURE 4, BELOW
- USE THE 3/8-18 x 1" SHOULDER BOLT AND 5/16 LOCK-NUT TO SECURE THE TOP OF THE COMPRESSOR TO THE REAR 3/8 x 3/8 ADJUSTER (NOTE: ADJUSTER GOES ON THE BACKSIDE OF THE COMPRESSOR MOUNTING EAR.) SEE FIGURE 4 BELOW.

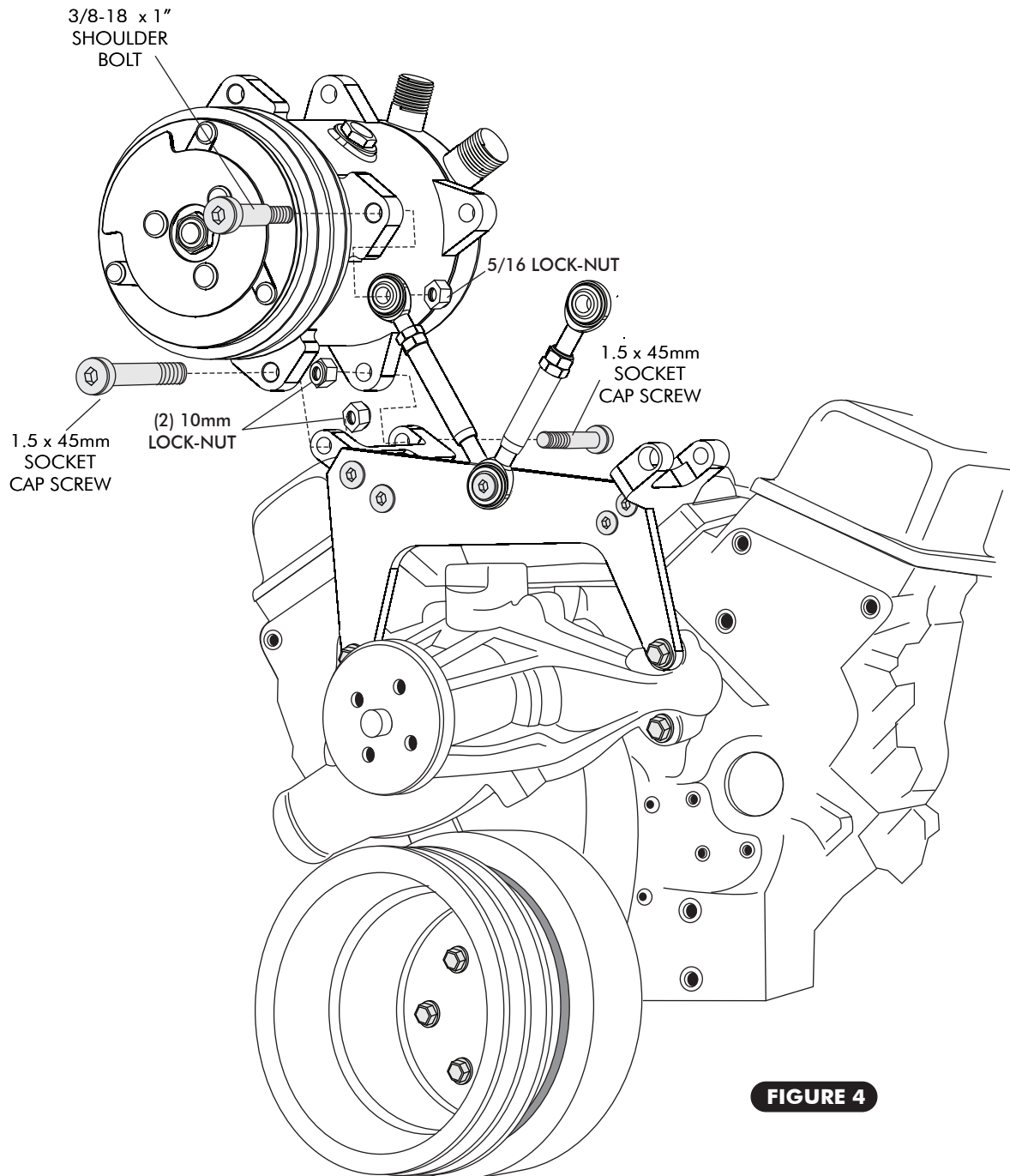
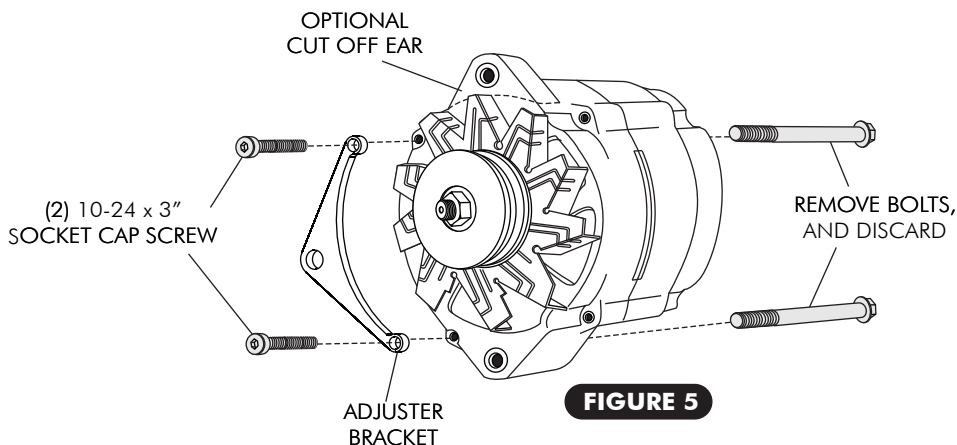


FIGURE 4

EARLY MODEL ALTERNATOR INSTALLATION

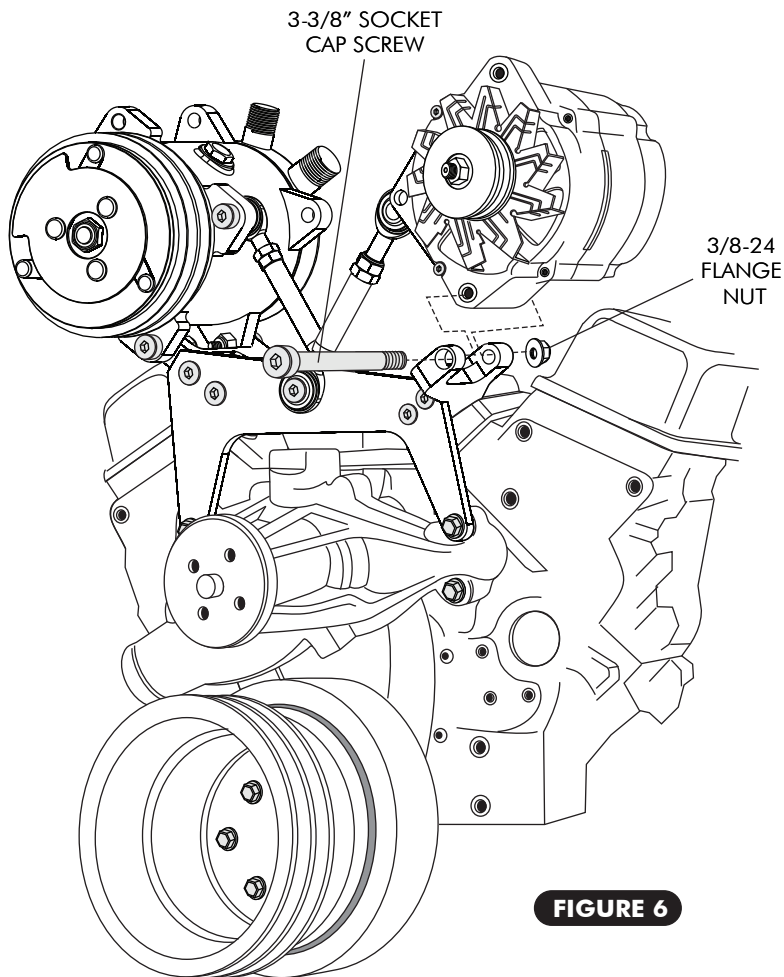
MODIFY YOUR EARLY MODEL ALTERNATOR AS FOLLOWS:

1. REMOVE THE TWO BOLTS FROM THE PASSENGER SIDE OF THE ALTERNATOR AS SHOWN.
2. POSITION ADJUSTER BRACKET AND INSTALL (2) 10-24 x 3" SOCKET CAP SCREWS THROUGH HOUSING AS SHOWN.
3. INSTALL (2) 10-24 LOCKNUTS ONTO THE CAP SCREWS PASSED THROUGH THE HOUSING.
4. OPTIONAL: CUT OFF EAR FROM ALTERNATOR AS SHOWN.



NOTE: WHEN INSTALLING THE ALTERNATOR ADJUSTER BRACKET TO THE ALTERNATOR, IF BRACKET INTERFERES WITH THE ALTERNATOR CASE **DO NOT** MODIFY THE ADJUSTER BRACKET. YOU MUST MODIFY THE ALTERNATOR CASE.

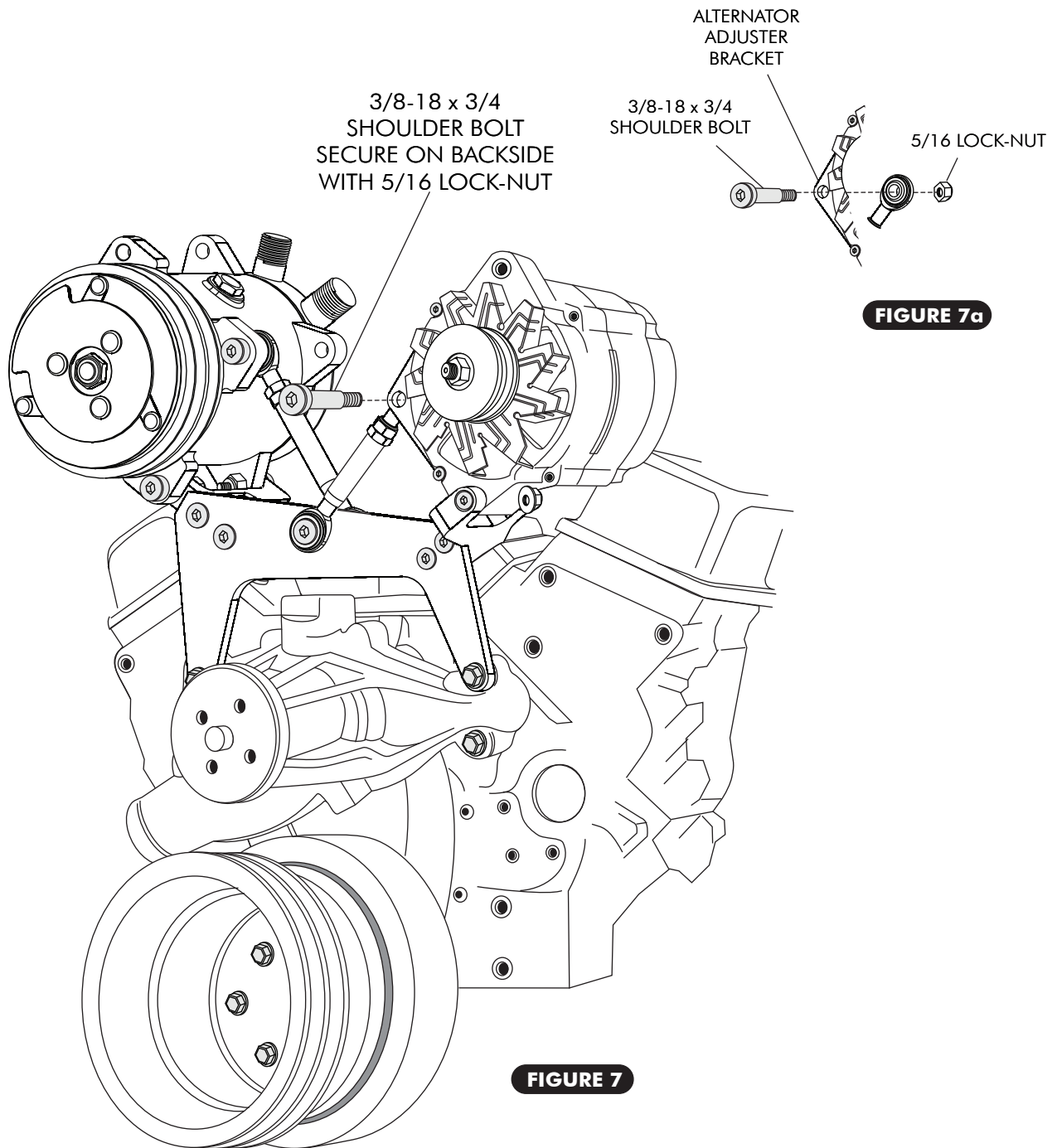
- SECURE THE BOTTOM OF THE ALTERNATOR TO THE ALTERNATOR MOUNTING BRACKET USING A 3/8-24 x 3 3/8" SOCKET CAP SCREW AND 3/8-24 FLANGE NUT. SEE FIGURE 6.





SMALL BLOCK CHEVY S/P PROLINE BRACKET

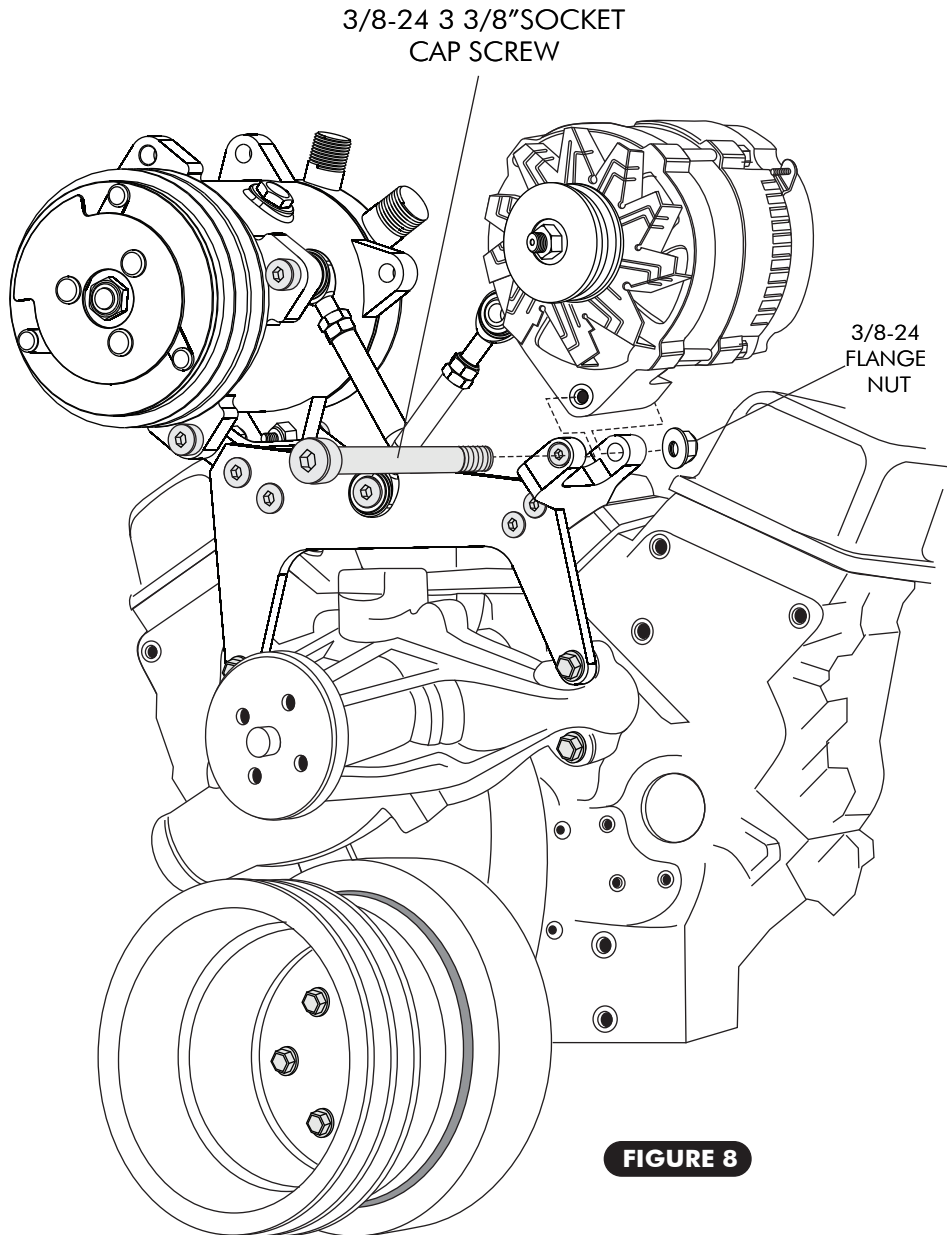
- ATTACH THE ALTERNATOR ADJUSTER BRACKET TO THE 3/8 x 3/8 ADJUSTER USING A 3/8-18 x 3/4" SHOULDER BOLT AND 5/16 LOCK-NUT. SEE FIGURE 7, BELOW. NOTE: ADJUSTER GOES ON THE BACKSIDE OF THE ALTERNATOR ADJUSTER BRACKET, SEE FIGURE 7a.





LATE MODEL ALTERNATOR INSTALLATION

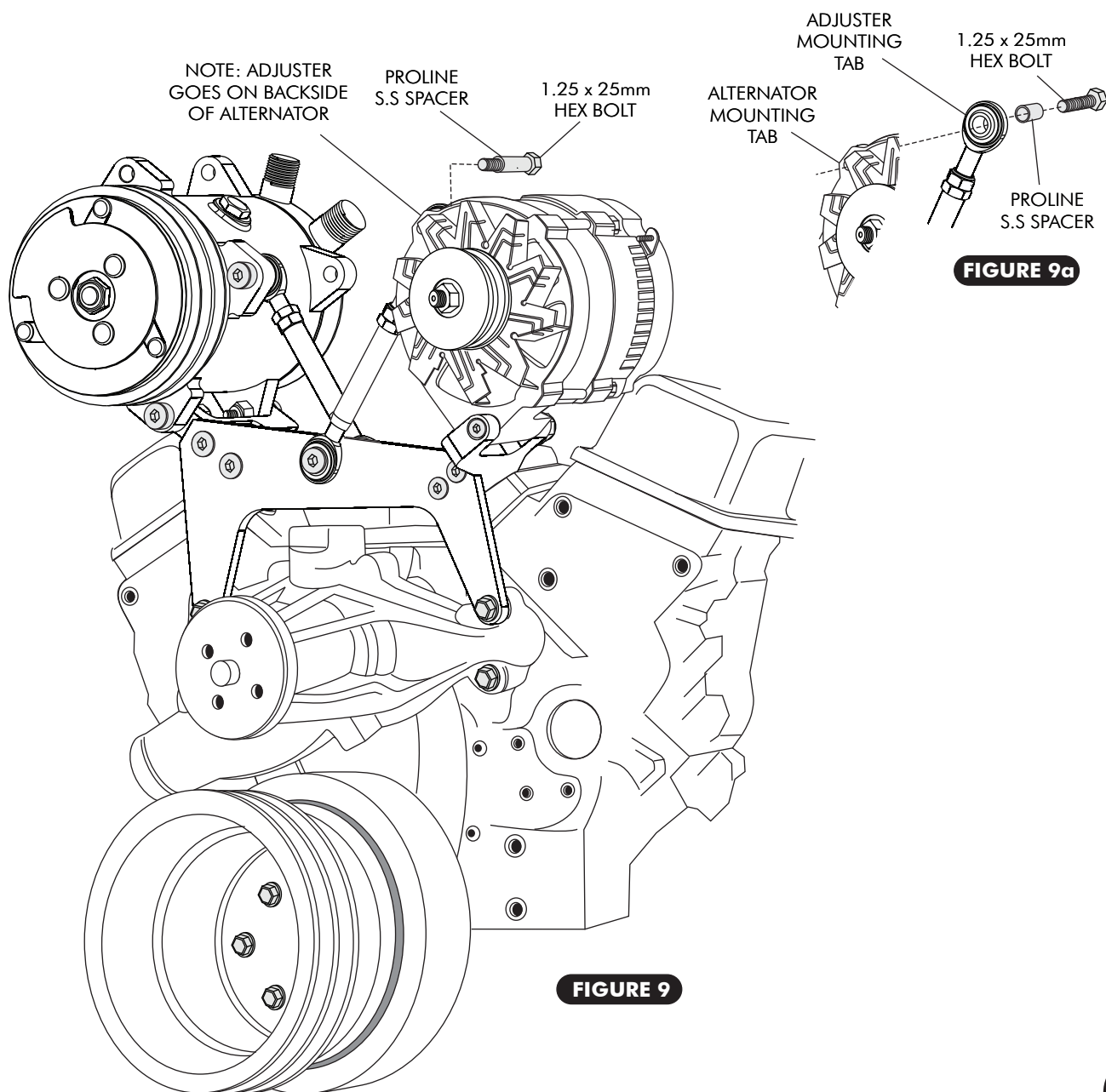
- SECURE THE BOTTOM OF THE ALTERNATOR TO THE ALTERNATOR MOUNTING BRACKET USING 3/8-24 x 3-3/8" SOCKET CAP SCREW AND 3/8-24 FLANGE NUT. SEE FIGURE 8 BELOW.





SMALL BLOCK CHEVY S/P PROLINE BRACKET

- ❑ SECURE THE TOP OF THE ALTERNATOR USING THE M8 1.25 x 45mm HEX BOLT AND PROLINE STAINLESS STEEL SPACER, PASS THE BOLT THROUGH THE SPACER AND INSTALL THROUGH THE ADJUSTER (SEE FIGURE 9a) AND THREAD BOLT INTO THE ALTERNATOR. SEE FIGURE 9 BELOW.
- ❑ VINTAGE AIR RECOMMENDS ONLY DAYCO, GATES OR GOODYEAR BRAND REINFORCED SERIES 17 BELTS BE USED WITH THIS COMPRESSOR AND ALTERNATOR COMBINATION. THE USE OF ANY LESSER QUALITY BELTS MAY CAUSE THE COMPRESSOR OR ALTERNATOR TO PERFORM IMPROPERLY.
- ❑ VINTAGE AIR RECOMMENDS A COMPRESSOR BELT LENGTH OF 52 1/2" AND AN ALTERNATOR BELT LENGTH OF 47 1/2", HOWEVER THIS CAN VARY WITH THE DIAMETER OF YOUR WATER PUMP & CRANKSHAFT PULLEYS.





**SMALL BLOCK CHEVY PROLINE BRACKET
SHORT PUMP**

(172170-SCQ) PACKING LIST

No.	QTY.	PART No.	DESCRIPTION	CHECK LIST
1.	1	176000-SCR	PROLINE MAIN BRKT	_____
2.	1	176002-SCR	PROLINE COMPRESSOR BRKT	_____
3.	1	176001-SCR	PROLINE ALTERNATOR BRKT	_____
4.	2	16500-VUQ	3/8 x 3/8 S.S. ADJUSTER	_____
5.	1	176003-SCR	ALTERNATOR ADJUSTER BRKT	_____
6.	1	193000-HCQ	PROLINE SHORT PUMP HARDWARE KIT	_____

CHECKED BY: _____
PACKED BY: _____
DATE: _____

