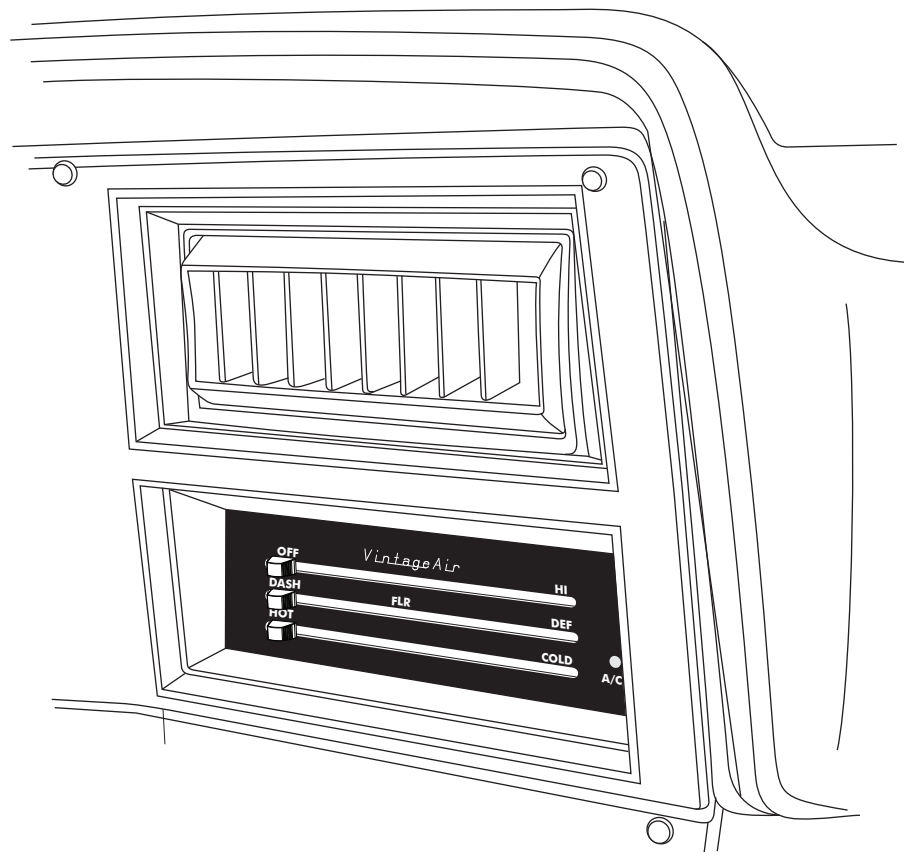




# 1973-87 Chevrolet Pickup

Control Panel Kit  
(473274)



18865 Goll St. San Antonio, TX 78266  
Phone: 800-862-6658  
Sales: [sales@vintageair.com](mailto:sales@vintageair.com)  
Tech Support: [tech@vintageair.com](mailto:tech@vintageair.com)  
[www.vintageair.com](http://www.vintageair.com)



[www.vintageair.com](http://www.vintageair.com)

# Table of Contents

Cover.....	1
Table of Contents.....	2
Packing List/Parts Disclaimer.....	3
OEM Control Panel Removal.....	4
Control Panel and Control Harness Installation.....	5
Final Steps.....	6
Gen IV Wiring Diagram.....	7
Gen 5 Wiring Diagram.....	8
Operation of Controls.....	9
Packing List.....	10

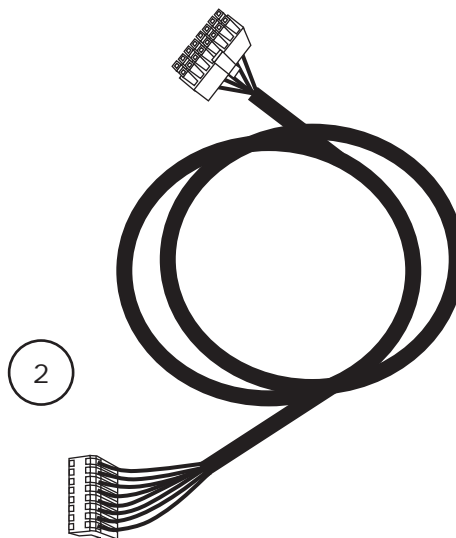
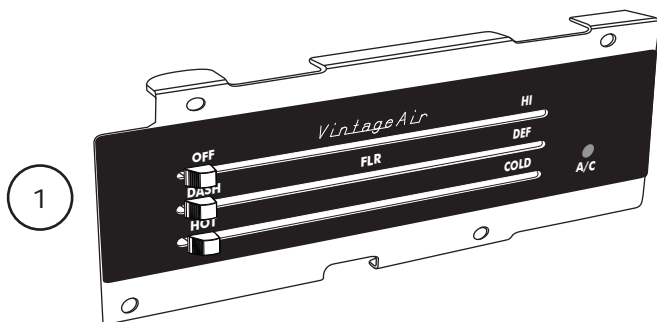


www.vintageair.com

## Packing List: Control Panel Kit (473274)

No.	Qty.	Part No.	Description
1.	1	473092	Control Panel Assembly
2.	1	232007-VUR	Control Harness, Gen IV/Gen 5 Universal
3.	4	181075-PSR	Screw, #8 x 1", Pan Head

**\*\* Before beginning installation, open all packages and check contents of shipment. Please report any shortages directly to Vintage Air within 15 days. After 15 days, Vintage Air will not be responsible for missing or damaged items.**



**NOTE: Images may not depict actual parts and quantities.  
Refer to packing list for actual parts and quantities.**



www.vintageair.com

## OEM Control Panel Removal

### Perform the Following:

1. Disconnect the battery ground cable.
2. Remove the instrument panel bezel (retain).
3. Disconnect all wires and cables from the control panel. **NOTE: When using a Vintage Air supplied control panel, connect the tan 20 AWG wire from the Gen IV wiring harness (232010) or Gen 5 wiring harness (231505) to the factory dash lights to enable panel backlighting.**
4. Remove the control panel from the dash.

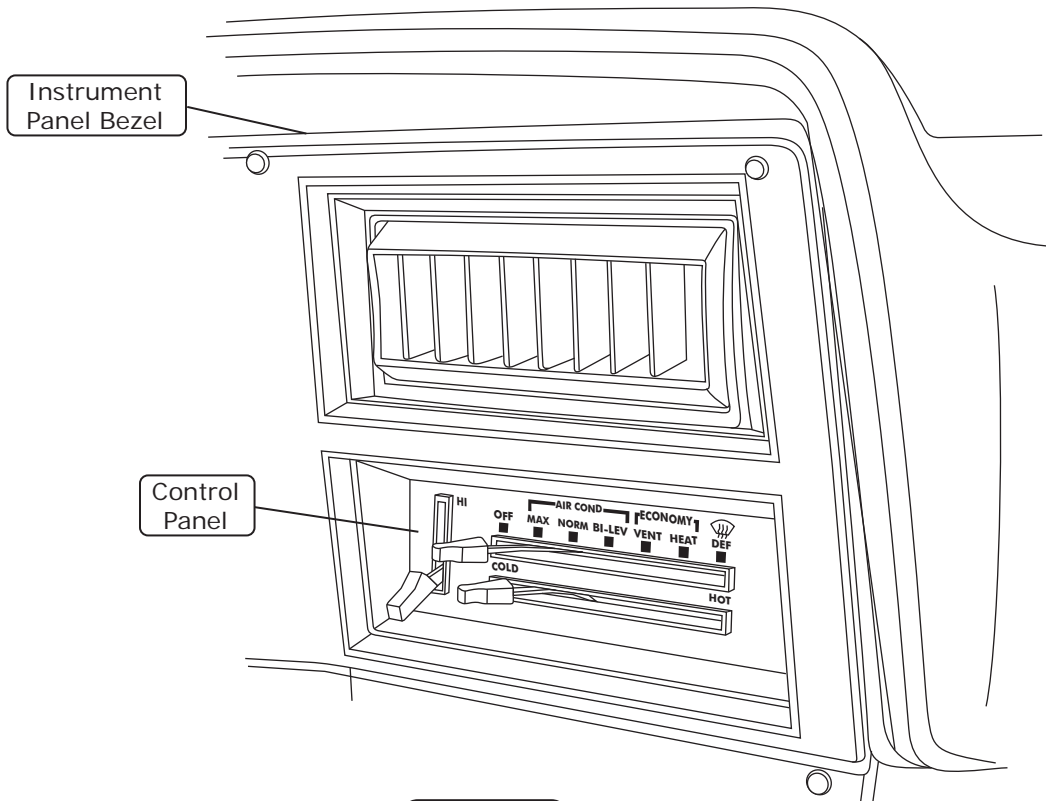


Figure 1



www.vintageair.com

## Control Panel and Control Harness Installation

1. Plug the control panel harness into the ECU and control panel PC board assembly as shown in Figure 2, below.
2. Install the control panel assembly into the dash using (4) #8 x 1" pan head screws as shown in Figure 3, below.

NOTE: ECU module located on evaporator subcase

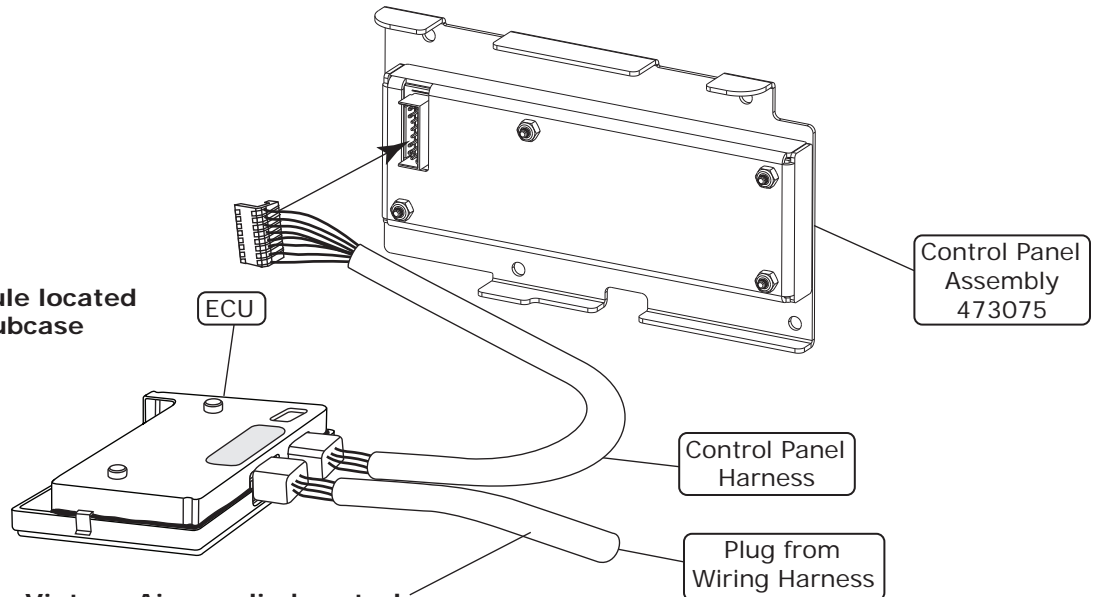


Figure 2

NOTE: When using a Vintage Air supplied control panel, connect the tan 20 AWG wire from the Gen IV wiring harness (232010) or Gen 5 wiring harness (231505) to the factory dash lights to enable panel backlighting.

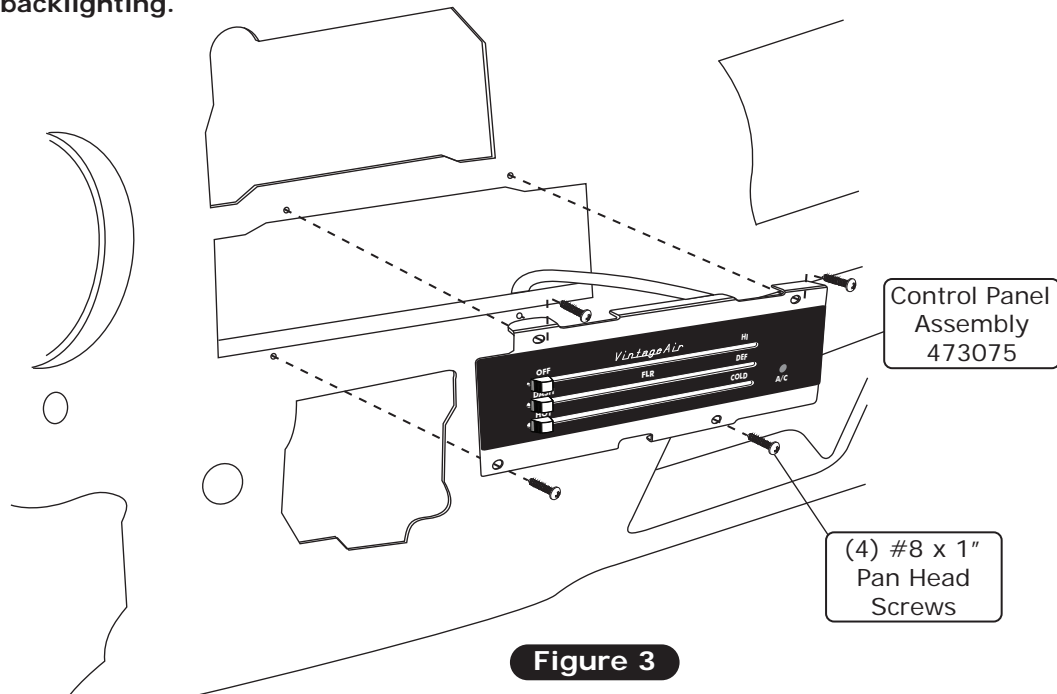


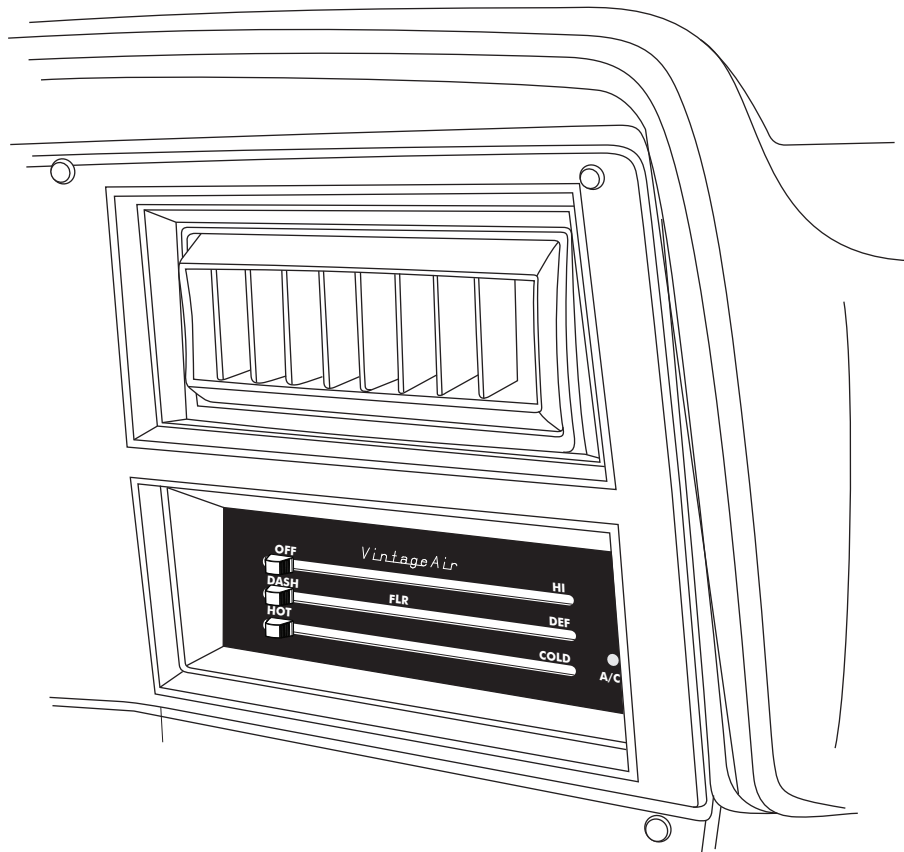
Figure 3



[www.vintageair.com](http://www.vintageair.com)

## Final Steps

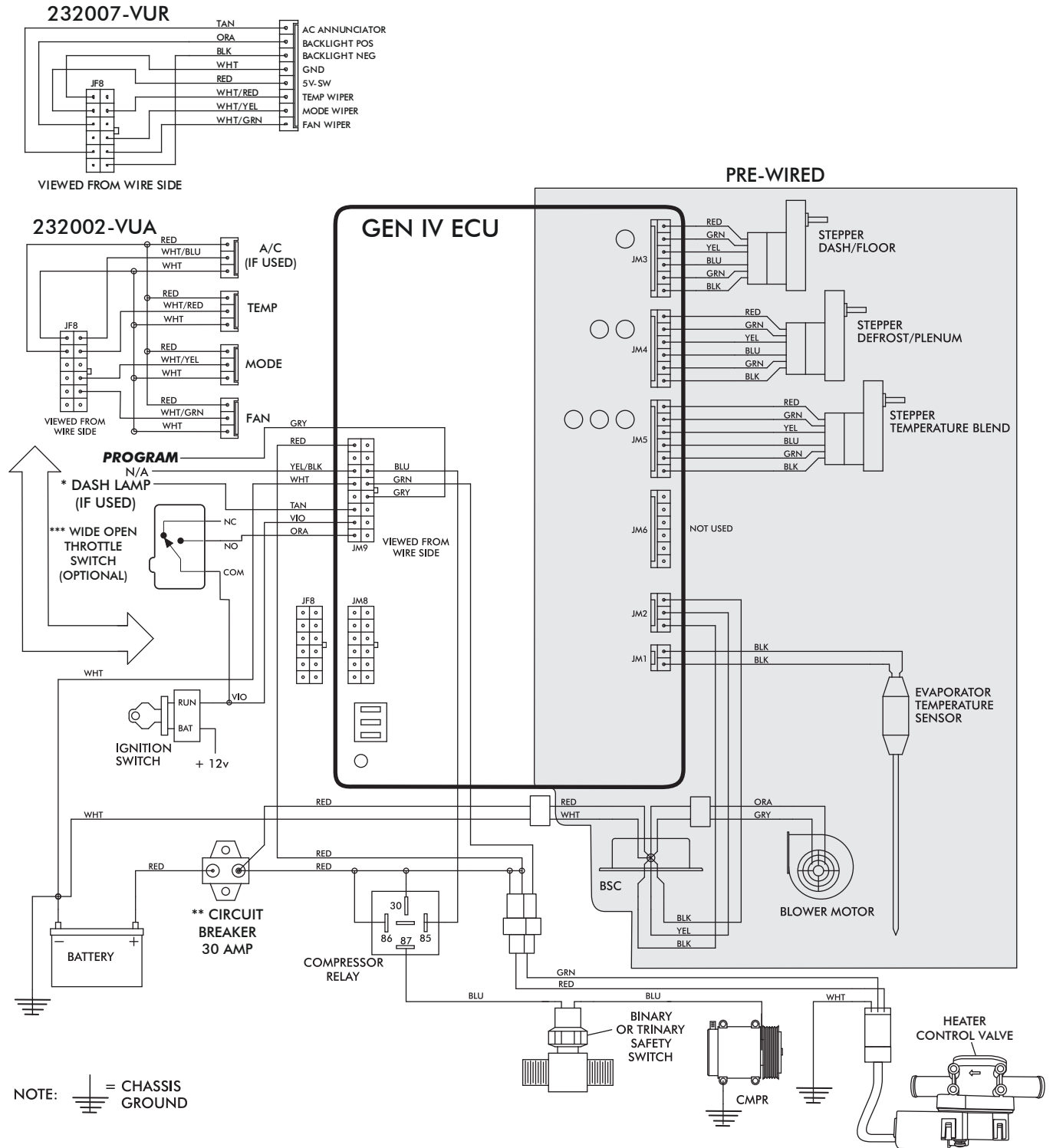
1. Reinstall all previously removed items (instrument panel).





www.vintageair.com

# Gen IV Wiring Diagram



\* Dash lamp is used only with type 232007-VUR harness.

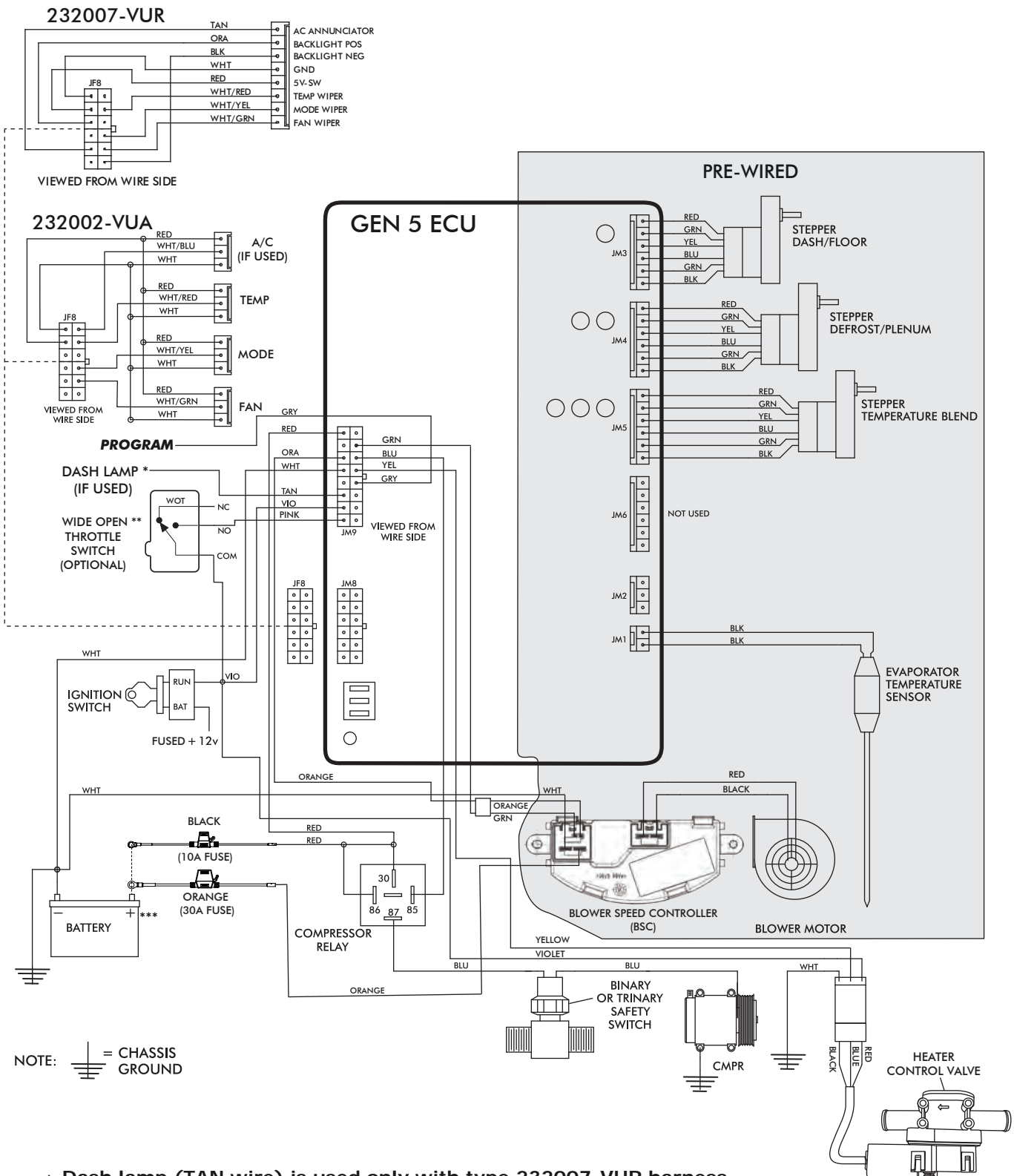
\*\* Warning: Always mount circuit breaker as close to the battery as possible. (NOTE: Wire between battery and circuit breaker is unprotected and should be carefully routed to avoid a short circuit).

\*\*\* Wide open throttle switch contacts close only at full throttle, which disables A/C compressor.



www.vintageair.com

# Gen 5 Wiring Diagram



NOTE: = CHASSIS GROUND

- \* Dash lamp (TAN wire) is used only with type 232007-VUR harness.
- \*\* Wide open throttle switch contacts close only at full throttle, which disables A/C compressor.
- \*\*\* Install fuse assemblies at or as near to the battery as possible.





www.vintageair.com

## Operation of Controls

On Gen IV or Gen 5 systems with three lever/knob controls, the temperature control toggles between heat and A/C operations. To activate A/C, move the temperature lever/knob all the way to cold and then back it off to the desired vent temperature. For heat operation, move the temperature lever/knob all the way to hot and then adjust to the desired vent temperature. The blower will momentarily change speed, each time you toggle in and out of heat and A/C operations, to indicate the change.

### Blower Speed

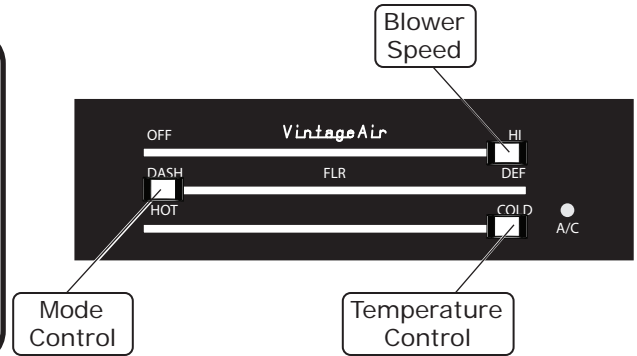
This lever/knob controls blower speed, from OFF to HI.

### Mode Control

This lever/knob controls the mode positions, from DASH to FLOOR to DEFROST, with a blend in between.

### Temperature Control

This lever/knob controls the temperature, from HOT to COLD.



## A/C Operation

### Blower Speed

Adjust to desired speed.

### Mode Control

Adjust to desired mode position (DASH position recommended).

### Temperature Control

For A/C operation, adjust to coldest position to engage compressor (Adjust between HOT and COLD to reach desired temperature).



## Heat Operation

### Blower Speed

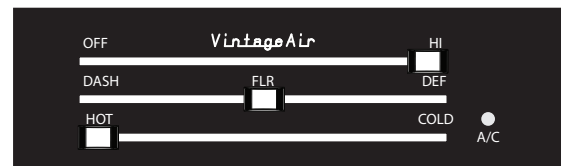
Adjust to desired speed.

### Mode Control

Adjust to desired mode position (FLOOR position recommended).

### Temperature Control

For maximum heating, adjust to hottest position (Adjust between HOT and COLD to reach desired temperature).



## Defrost/De-fog Operation

### Blower Speed

Adjust to desired speed.

### Temperature Control

Adjust to desired temperature.

### Mode Control

Adjust to DEFROST position for maximum defrost, or between FLOOR and DEFROST positions for a bi-level blend (Compressor is automatically engaged).



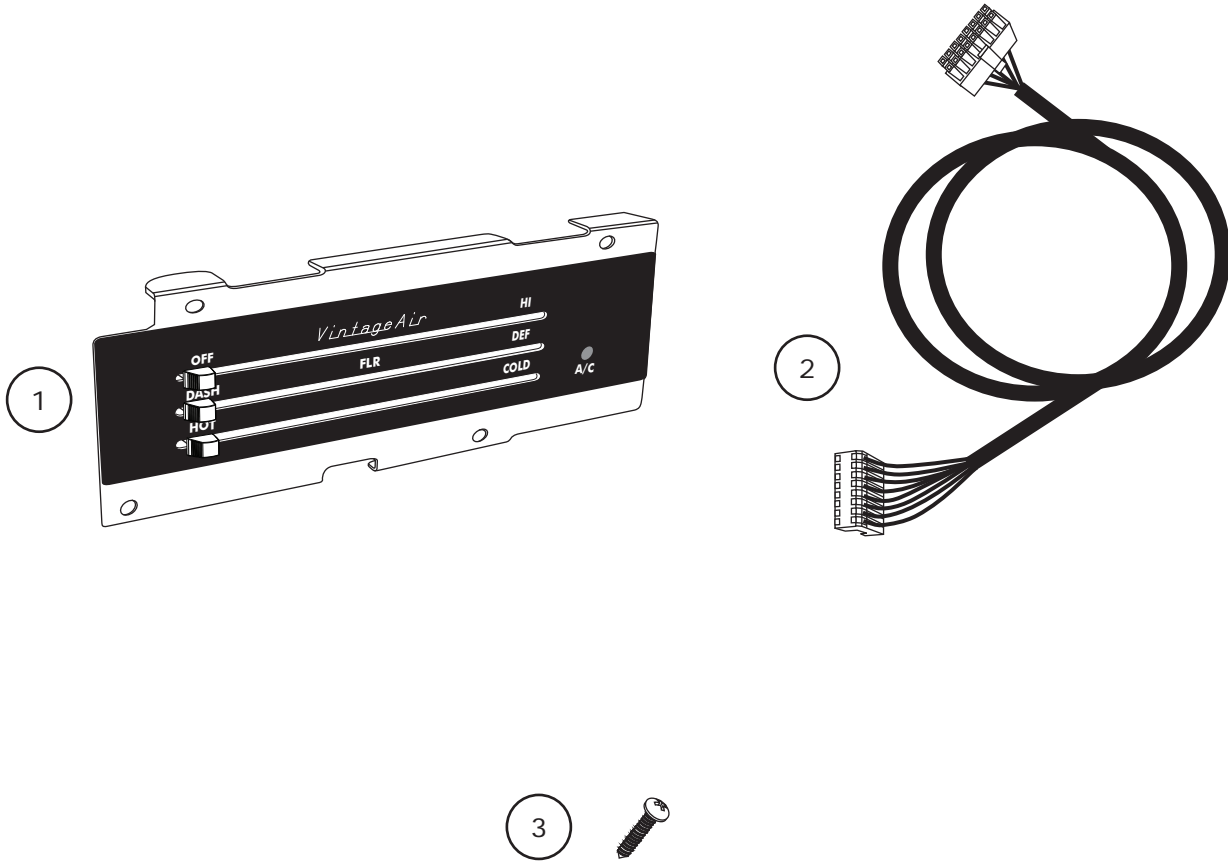


www.vintageair.com

# Packing List: Control Panel Kit (473274)

No.	Qty.	Part No.	Description
1.	1	473092	Control Panel Assembly
2.	1	232007-VUR	Control Harness, Gen IV/Gen 5 Universal
3.	4	181075-PSR	Screw, #8 x 1", Pan Head

Checked By: \_\_\_\_\_  
Packed By: \_\_\_\_\_  
Date: \_\_\_\_\_



NOTE: Images may not depict actual parts and quantities.  
Refer to packing list for actual parts and quantities.