

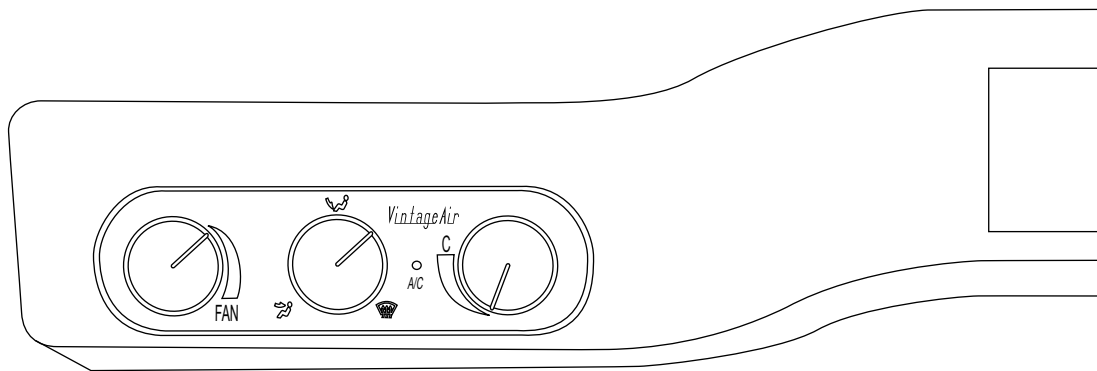


an ISO 9001:2008 Registered Company

1961-66 Ford F-100

Control Panel Upgrade Kit

Polished (491644)
Black Anodized (491645)



18865 Goll St. San Antonio, TX 78266
Phone: 210-654-7171
Fax: 210-654-3113
www.vintageair.com



www.vintageair.com

Table of Contents

Cover.....	1
Table of Contents.....	2
Packing List/Parts Disclaimer.....	3
Under Dash Louver Bezel Modification.....	4
Louver Bezel Assembly Installation.....	5
Louver Bezel Assembly Installation (Cont.).....	6
Wiring Diagram.....	7
Operation of Controls.....	8
Packing List.....	9



www.vintageair.com

Packing List: Polished Control Panel Upgrade Kit (491644)

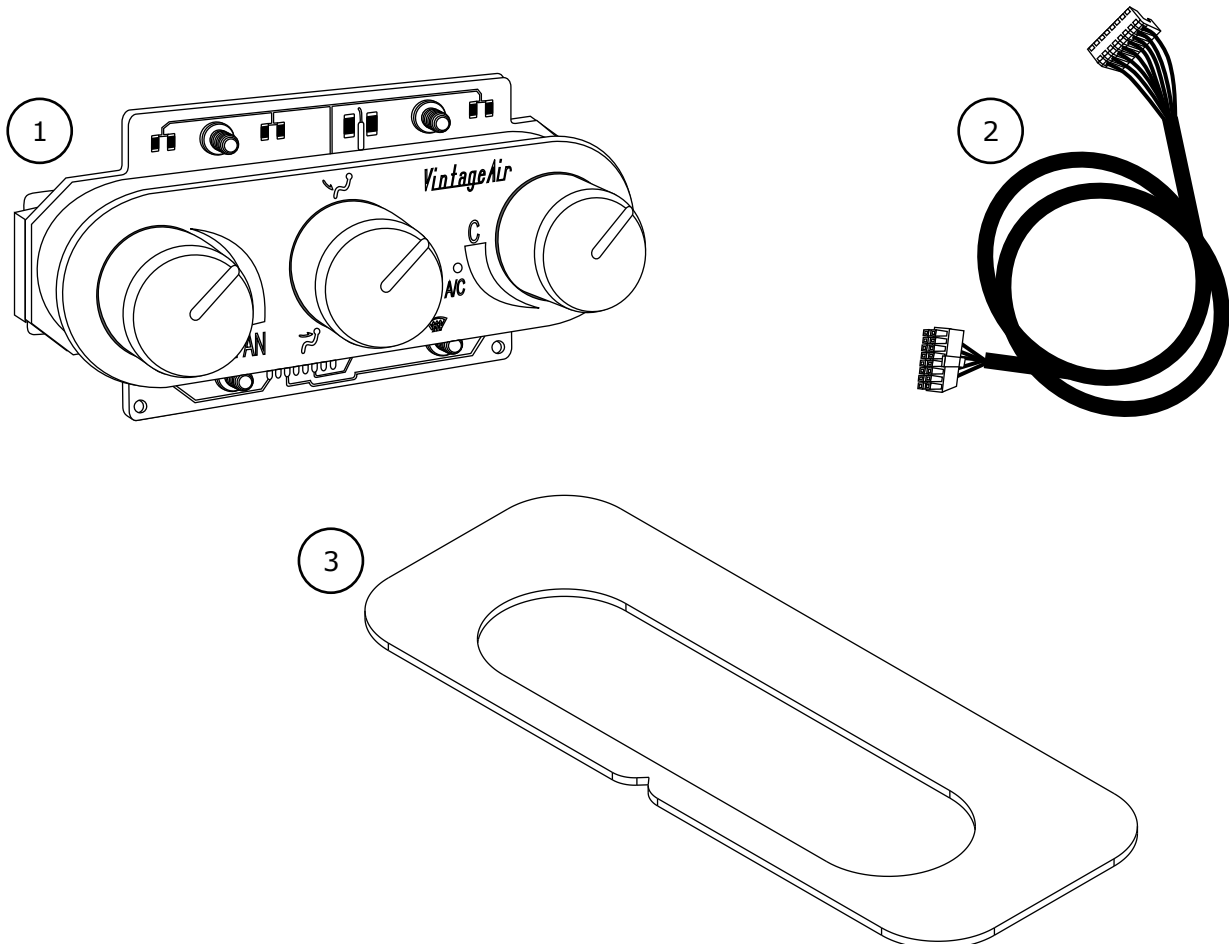
No.	Qty.	Part No.	Description
1.	1	491209-RUA	Control Panel, Streamline 3-Knob, Polished
2.	1	232007-RUA	Harness, Control Panel
3.	1	646950	Bracket, Control Panel

**** Before beginning installation, open all packages and check contents of shipment. Please report any shortages directly to Vintage Air within 15 days. After 15 days, Vintage Air will not be responsible for missing or damaged items.**

Packing List: Black Anodized Control Panel Upgrade Kit (491645)

No.	Qty.	Part No.	Description
1.	1	491222-RUA	Control Panel, Streamline 3-Knob, Black Anodized
2.	1	232007-RUA	Harness, Control Panel
3.	1	646950	Bracket, Control Panel

**** Before beginning installation, open all packages and check contents of shipment. Please report any shortages directly to Vintage Air within 15 days. After 15 days, Vintage Air will not be responsible for missing or damaged items.**



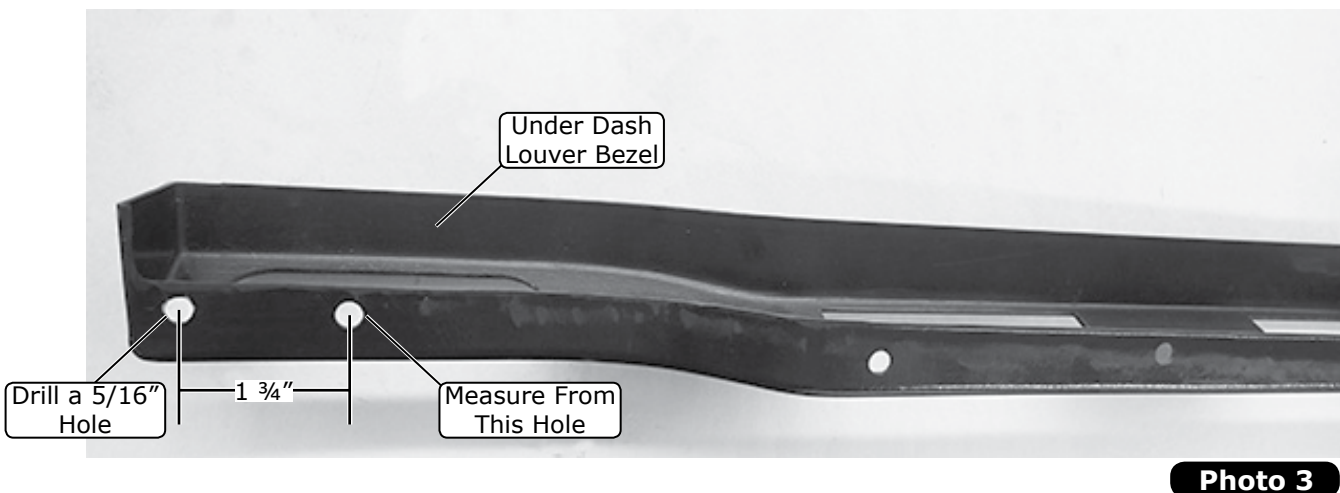
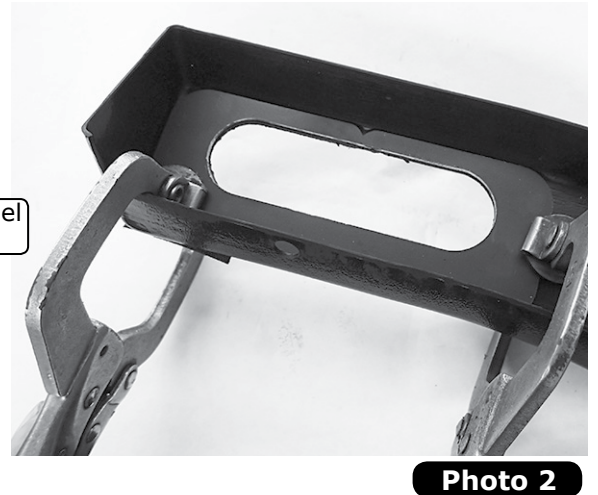
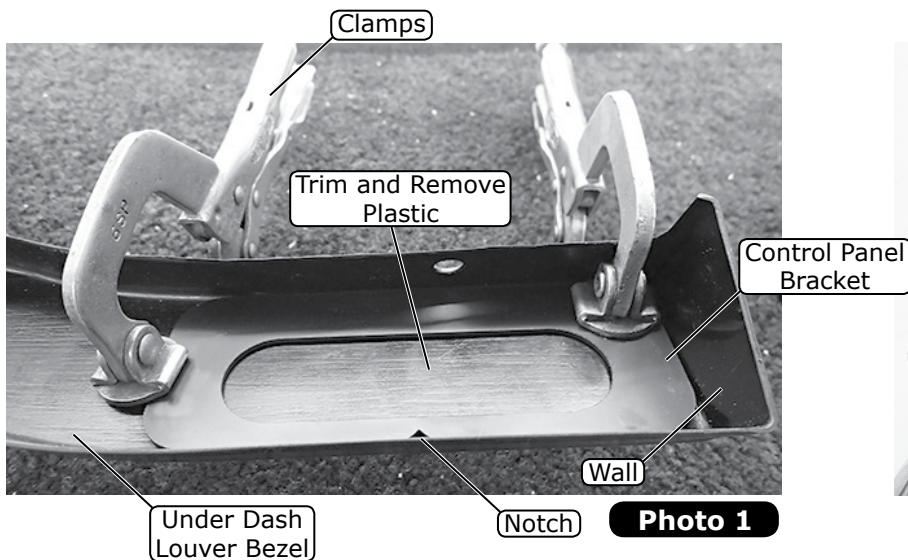
NOTE: Images may not depict actual parts and quantities. Refer to packing list for actual parts and quantities.



www.vintageair.com

Under Dash Louver Bezel Modification

1. Locate the under dash louver bezel provided in the evaporator kit and the control panel bracket supplied with this kit. Insert the control panel bracket into the bezel, against the bezel wall as shown in Photo 1, below. **NOTE: The bracket notch should face the bottom of the bezel as shown in Photo 1, below.**
2. Secure the bracket onto the under dash louver bezel using vise grips or clamps (See Photo 1, below). **NOTE: Protect the front of the bezel where the clamps are attached to avoid scratching the plastic.**
3. Using the control panel bracket as a template, trim and remove the center portion of the bezel as shown in Photos 1 and 2, below. After removing the plastic, deburr the opening.
4. Locate the first hole on the driver side of the bezel and measure 1 $\frac{3}{4}$ " to the left from the center of this hole (See Photo 3, below). Drill a $\frac{5}{16}$ " hole.





www.vintageair.com

Louver Bezel Assembly Installation

1. Place the under dash louver bezel under the dash and temporarily install it using (3) 1/4-20 x 3/4" bolts, (6) 1/4" flat washers and (3) 1/4-20 nuts with star washers (See Figure 1, below). **NOTE: Hardware is provided in the evaporator kit. Do not tighten the hardware at this time, as the bezel will be used as a template.**
2. Mark the center of the hole drilled in Step 4, Page 4 onto the dash (See Figure 1, below). Remove the bezel and drill a 5/16" hole into the dash (See Figure 2, below).
3. Locate the control panel assembly and detach the circuit board from the front bezel plate by removing (4) 8-32 x 3/8" pan head screws (See Photo 4, below). Disconnect the wiring harness from the circuit board (See Photo 4, below).

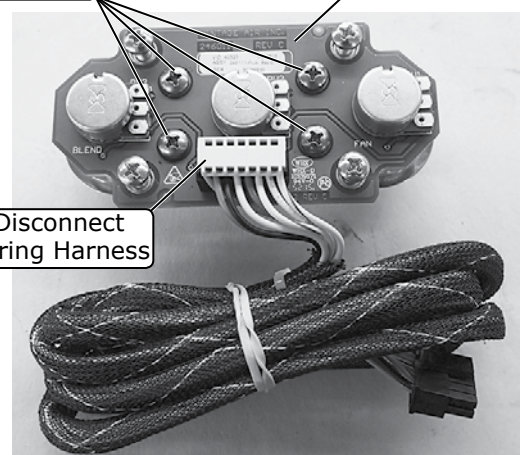
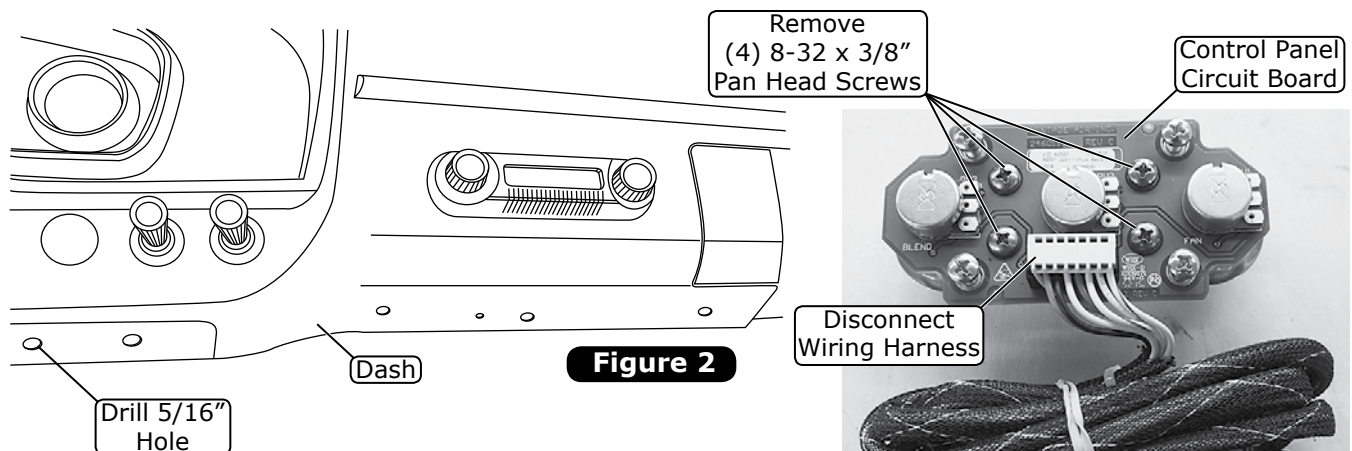
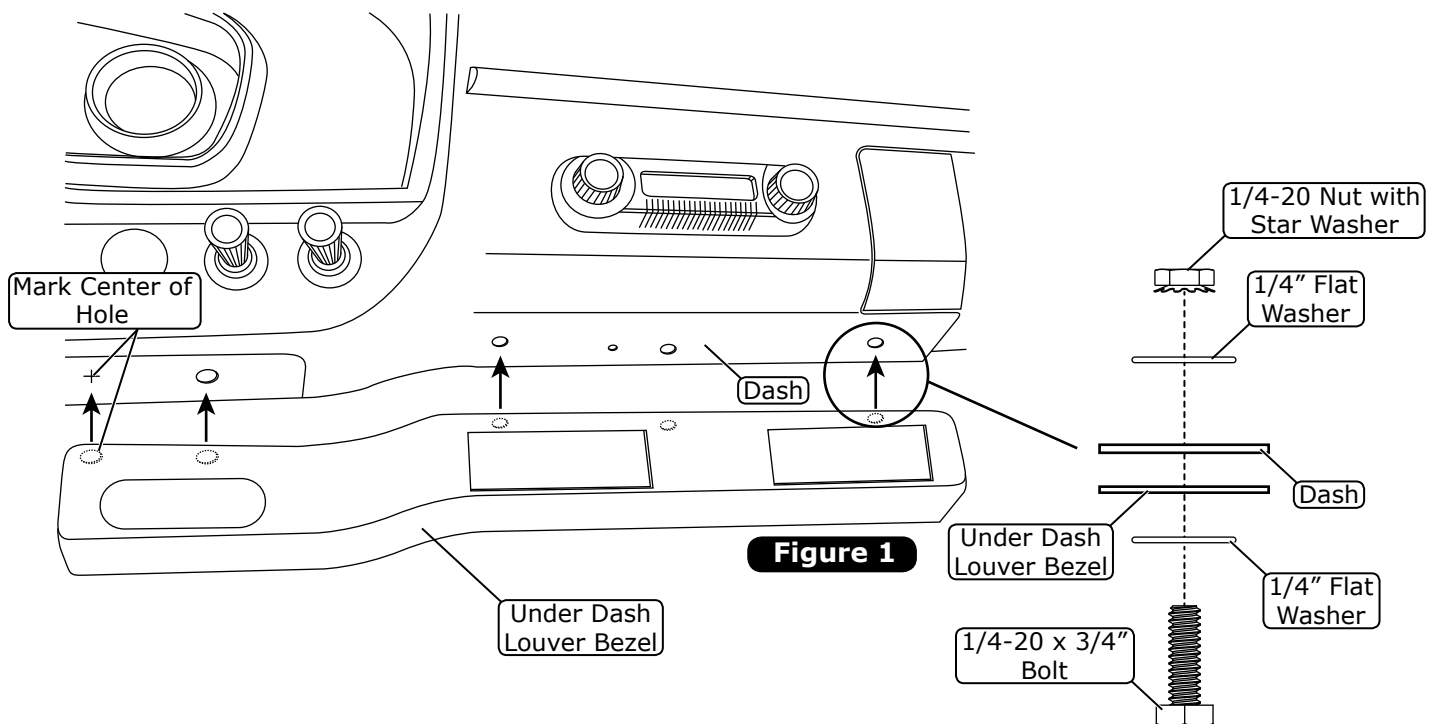


Photo 4



www.vintageair.com

Louver Bezel Assembly Installation (Cont.)

1. Insert the control panel circuit board and the control panel bracket into the back side of the under dash louver bezel (See Photo 5, below). Install the control panel face plate from the front through the opening on the bezel (See Photo 6, below), securing it to the circuit board using the (4) 8-32 x 3/8" pan head screws previously removed (See Photo 5, below).
2. Tighten the (4) 8-32 x 3/4" pan head screws on the circuit board to secure the control panel to the louver bezel (See Photo 7, below).
3. Reconnect the wiring harness to the back of the control panel circuit board (See Figure 3, below). Connect the other end of the harness to the ECU (See Figure 3, below).
4. Wire according to the wiring diagram on Page 7.
5. Install the louver assembly under the dash, and secure it using (4) 1/4-20 x 3/4" bolts, (8) 1/4" flat washers and (4) 1/4-20 nuts with star washers (See Figure 4, below).
6. To install the A/C louvers and duct hoses, refer to the evaporator instructions provided with your kit.

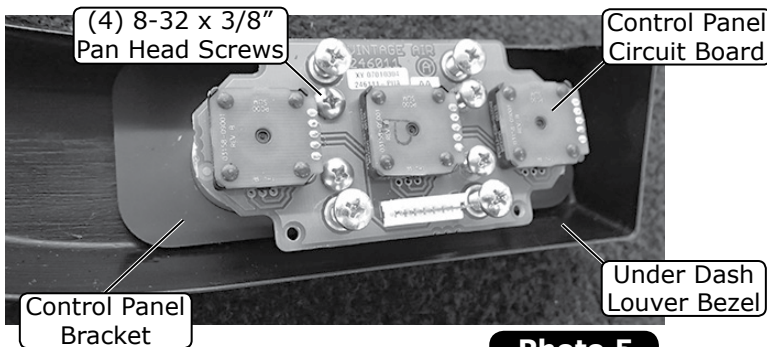


Photo 5

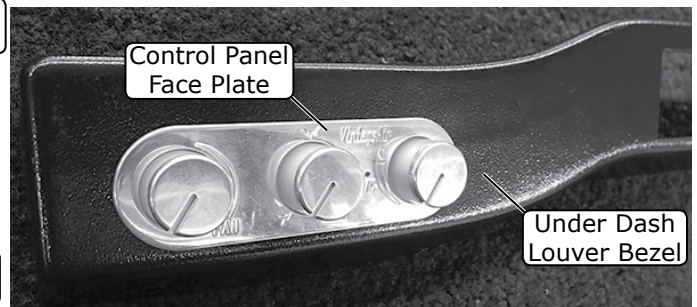


Photo 6

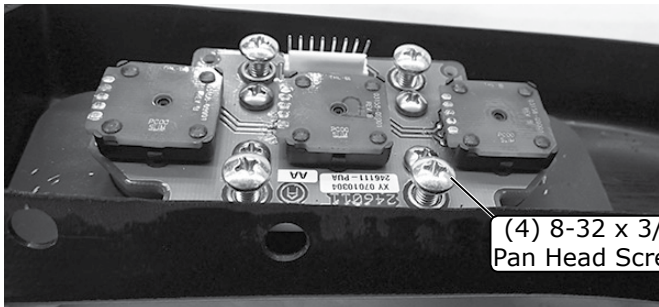


Photo 7

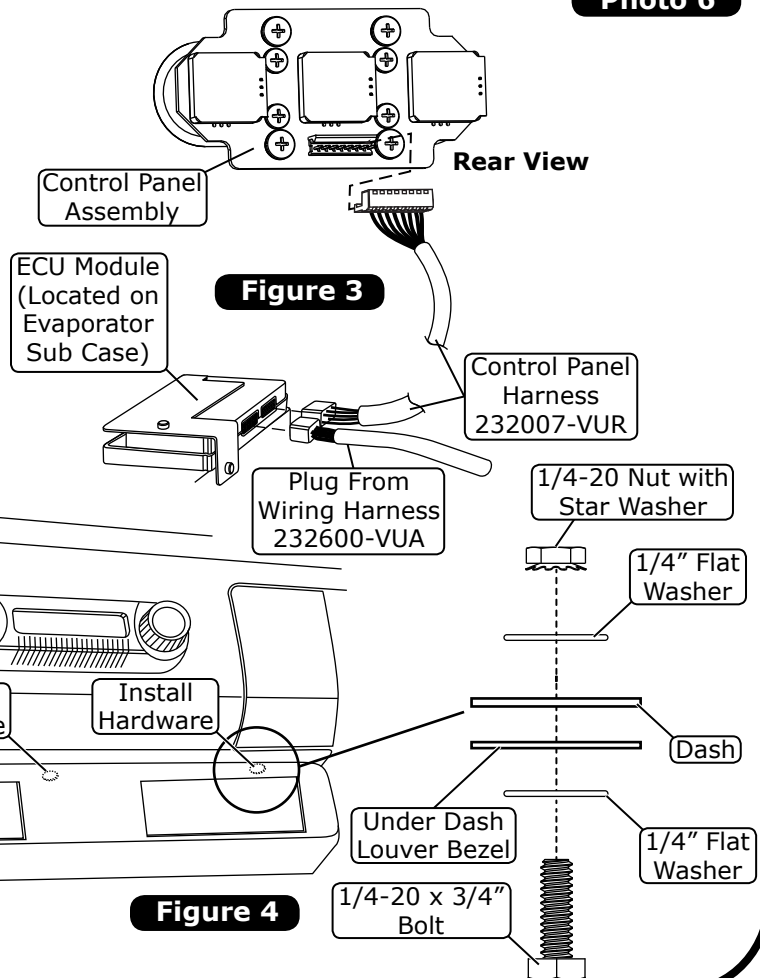


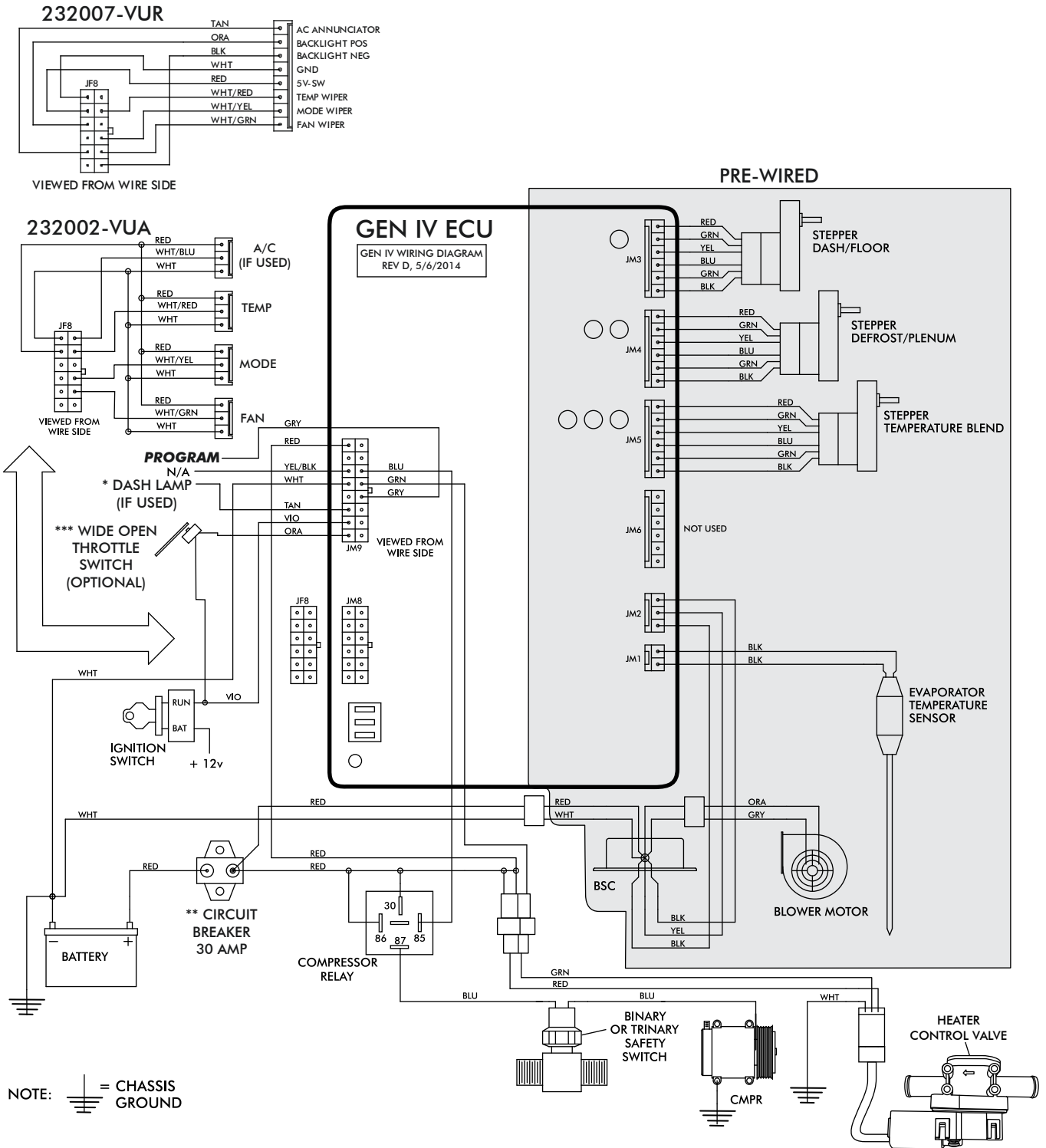
Figure 3

Figure 4



www.vintageair.com

Wiring Diagram



- Dash Lamp Is Used Only With Type 232007-VUR Harness.
- **Warning:** Always Mount Circuit Breaker As Close to the Battery As Possible. (NOTE: Wire Between Battery and Circuit Breaker Is Unprotected and Should Be Carefully Routed to Avoid a Short Circuit).
- Wide Open Throttle Switch Contacts Close Only at Full Throttle, Which Disables A/C Compressor.



www.vintageair.com

Operation of Controls

On Gen IV systems with three lever/knob controls, the temperature control toggles between heat and A/C operations. To activate A/C, move the temperature lever/knob all the way to cold and then back it off to the desired vent temperature. For heat operation, move the temperature lever/knob all the way to hot and then adjust to the desired vent temperature. The blower will momentarily change speed, each time you toggle between operations, to indicate the change.

Blower Speed

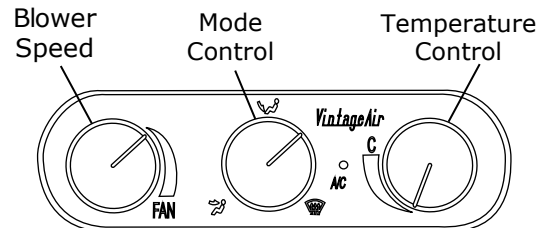
This lever/knob controls blower speed, from OFF to HI.

Mode Control

This lever/knob controls the mode positions, from DASH to FLOOR to DEFROST, with a blend in between.

Temperature Control

This lever/knob controls the temperature, from HOT to COLD.



A/C Operation

Blower Speed

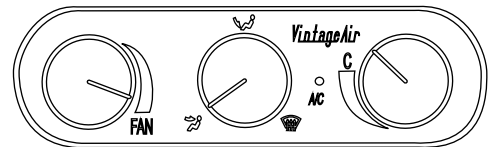
Adjust to desired speed.

Mode Control

Adjust to desired mode position (DASH position recommended).

Temperature Control

For A/C operation, adjust to coldest position to engage compressor (Adjust between HOT and COLD to reach desired temperature).



Heat Operation

Blower Speed

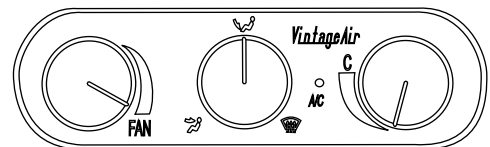
Adjust to desired speed.

Mode Control

Adjust to desired mode position (FLOOR position recommended).

Temperature Control

For maximum heating, adjust to hottest position (Adjust between HOT and COLD to reach desired temperature).



Defrost/De-fog Operation

Blower Speed

Adjust to desired speed.

Temperature Control

Adjust to desired temperature.

Mode Control

Adjust to DEFROST position for maximum defrost, or between FLOOR and DEFROST positions for a bi-level blend (Compressor is automatically engaged).





www.vintageair.com

Packing List: Polished Control Panel Upgrade Kit (491644)

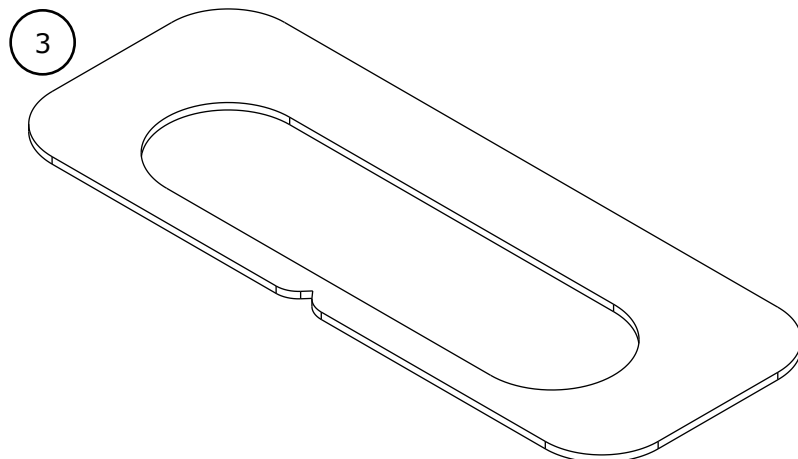
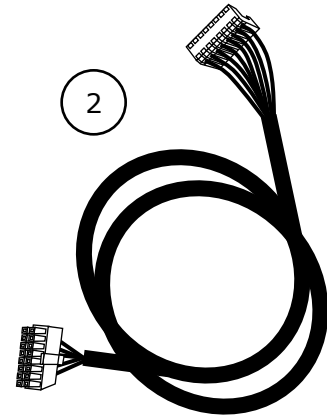
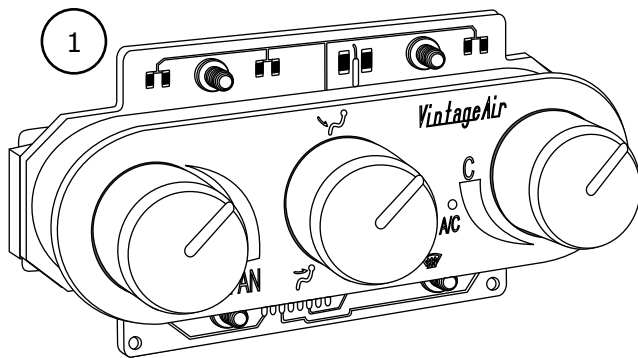
No.	Qty.	Part No.	Description
1.	1	491209-RUA	Control Panel, Streamline 3-Knob, Polished
2.	1	232007-RUA	Harness, Control Panel
3.	1	646950	Bracket, Control Panel

Checked By: _____
 Packed By: _____
 Date: _____

Packing List: Black Anodized Control Panel Upgrade Kit (491645)

No.	Qty.	Part No.	Description
1.	1	491222-RUA	Control Panel, Streamline 3-Knob, Black Anodized
2.	1	232007-RUA	Harness, Control Panel
3.	1	646950	Bracket, Control Panel

Checked By: _____
 Packed By: _____
 Date: _____



**NOTE: Images may not depict actual parts and quantities.
 Refer to packing list for actual parts and quantities.**