



www.vintageair.com

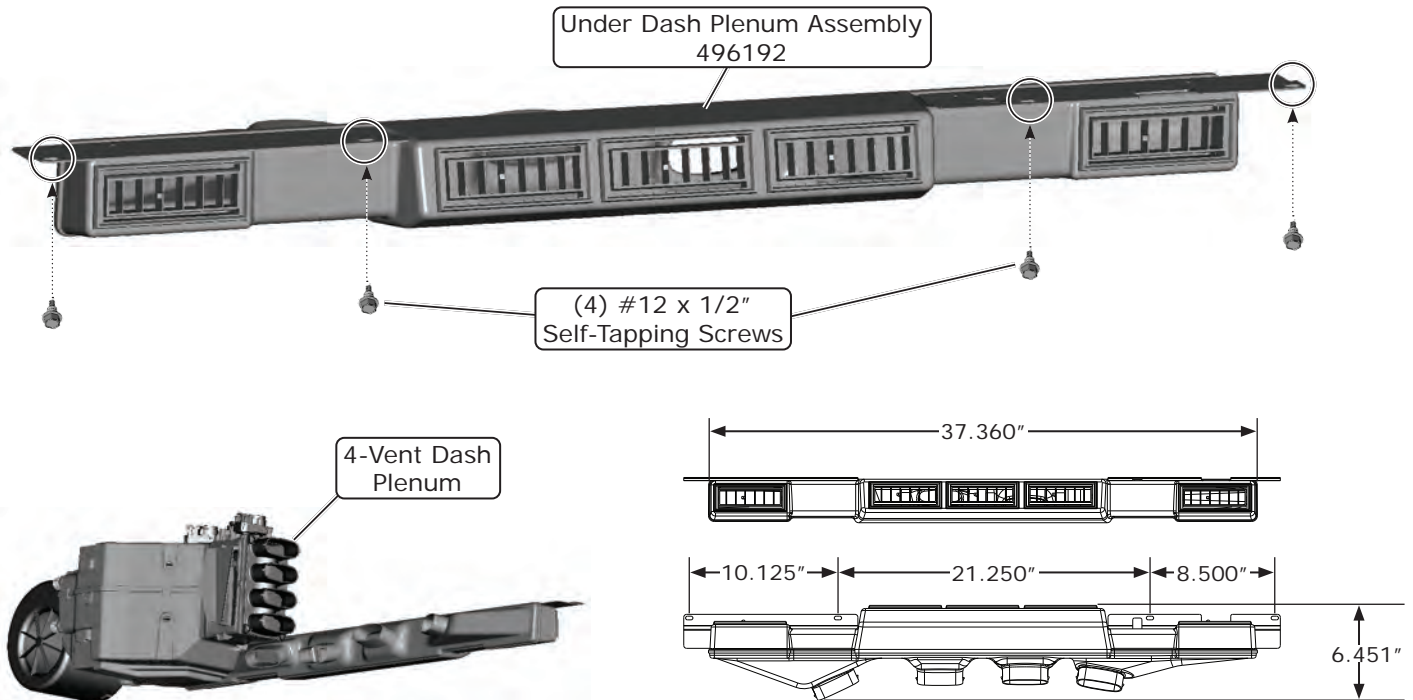
Under Dash Retroline 5-Louver Panel Kit (492115)

1. Install (4) #12 x 1/2" self-tapping screws under the louver assembly, aligning to the (4) bracket slots. **NOTE: When installing the duct hoses, secure them to the under dash panel using (4) tie wraps, as this will prevent the hoses from getting disconnected.**

Recommendations:

- The under dash panel assembly comes with (4) 2 1/2" hose adapters, and will work with any of our evaporator modules.
- Vintage Air currently offers (3) evaporators with 4-vent outlets to connect the duct hoses:
 - a. Gen 5 Magnum Evaporator Kit (part #675100)
 - b. Gen 5 Magnum MAX Evaporator Kit (part #675200)
 - c. Gen 5 Super with Defrost Evaporator Kit (part #681000)

See more recommendations →



Packing List:

No.	Qty.	Part No.	Description
1.	1	496192	Under Dash Louver Assembly
2.	4	182465	Screw, #12 x 1/2", Self-Tapping
3.	4	21300-VUP	Tie Wrap 11"

Checked By: _____
Packed By: _____
Date: _____

18865 Goll St. San Antonio, TX 78266
Phone: 800-862-6658
Sales: sales@vintageair.com
Tech Support: tech@vintageair.com
www.vintageair.com



www.vintageair.com

Under Dash Retroline 5-Louver Panel Kit (492115) (Cont.)

Recommendations (Cont.):

- Vintage Air knows that most of the time there is limited space behind the dash, and for this reason, we have created many hose adapter options that can help ease the routing of the hoses. These were created for different SureFit kits and can be used on many applications. Look on our website for the different options under SureFit Builder Series>Vents, Louvers, Registers, Ducts and Duct Hoses>Hose Adapters.
- One adapter we recommend for this application is the 150° plenum adapter (496147). This adapter mounts to the bottom outlet on the 4-vent plenum to connect to the passenger side hose adapter on the under dash louver bezel and can help prevent hose kinks. Depending on the vehicle, you may or may not need it, but we did use it on the Jeep YJ kit for this reason.
- For the floor plenum, the (2) universal evaporator kits come with our standard compact version, and are made to fit most applications. If you have the extra room (See comparison of floor plenums, below), Vintage Air recommends buying the floor vent deflector (643232) for max airflow, especially when using our Magnum MAX evaporator.

