

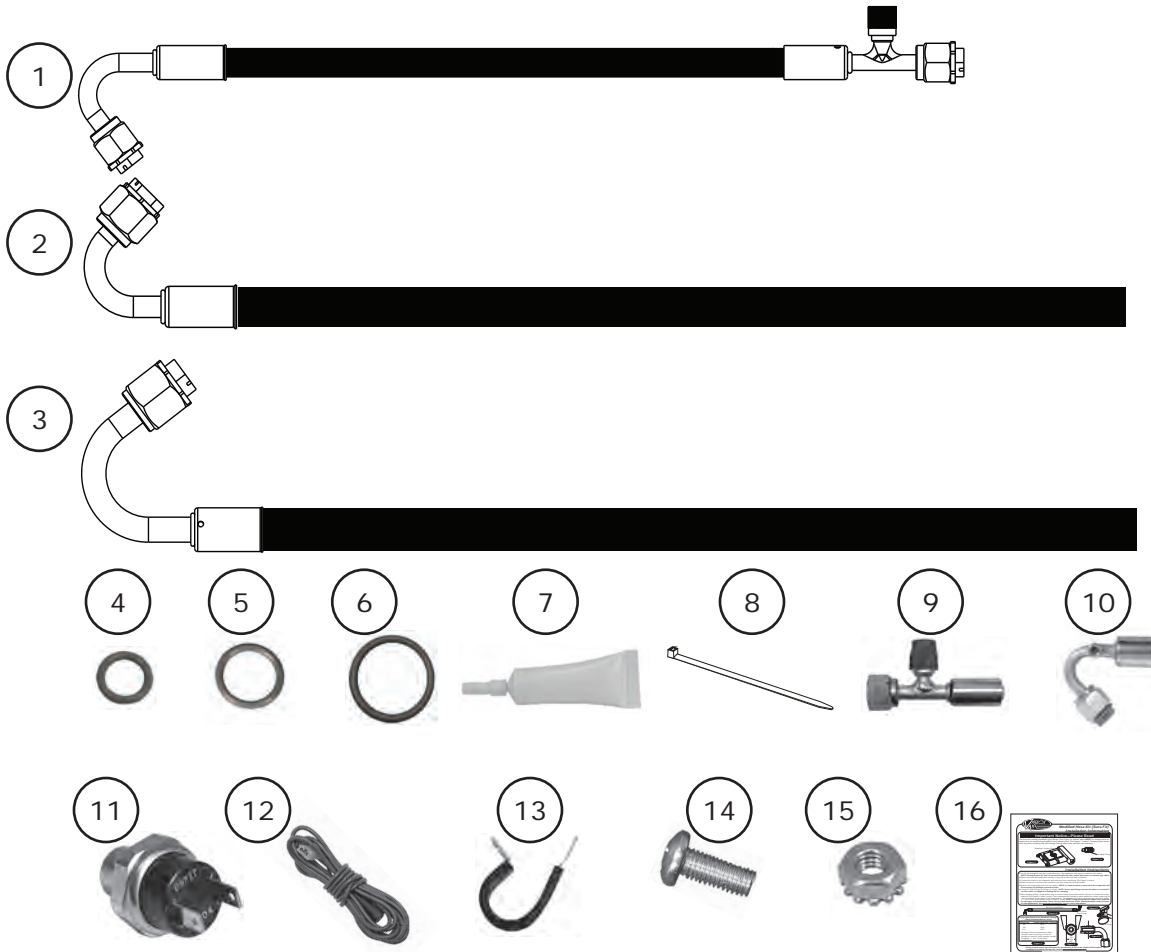


www.vintageair.com

Packing List: 1958-59 Chevrolet Pickup Reduced Barrier Modified Hose Kit (521202)

No.	Qty.	Part No.	Description
1.	1	096020	Hose, #6 A/C, Drier/Evaporator, Reduced Barrier
2.	1	096024	Hose, #8 A/C, Condenser/Compressor, Modified, RB
3.	1	096023	Hose, #10 A/C, Compressor/Evaporator, Modified, RB
4.	2	33857-VUF	O-ring, #6
5.	2	33858-VUF	O-ring, #8
6.	2	33859-VUF	O-ring, #10
7.	1	41117-VUP	Refrigerant Oil
8.	5	21300-VUP	Tie Wrap, 11"
9.	1	355120	Fitting, #8, Straight with Service Port
10.	1	355430	Fitting, #10, 135° with Service Port
11.	1	11078-VUS	Binary Switch, Female
12.	1	23135-VUW	Compressor Lead
13.	1	316050	Adel Clamp, 5/8" I.D.
14.	1	18250-VUB	Screw, 10-32 x 1/2", Pan Head
15.	1	18251-VUB	Nut with Star Washer, 10-32
16.	1	900002	Instruction, Modified Hose Kit

Checked By: _____
Packed By: _____
Date: _____



**NOTE: Images may not depict actual parts and quantities.
Refer to packing list for actual parts and quantities.**