

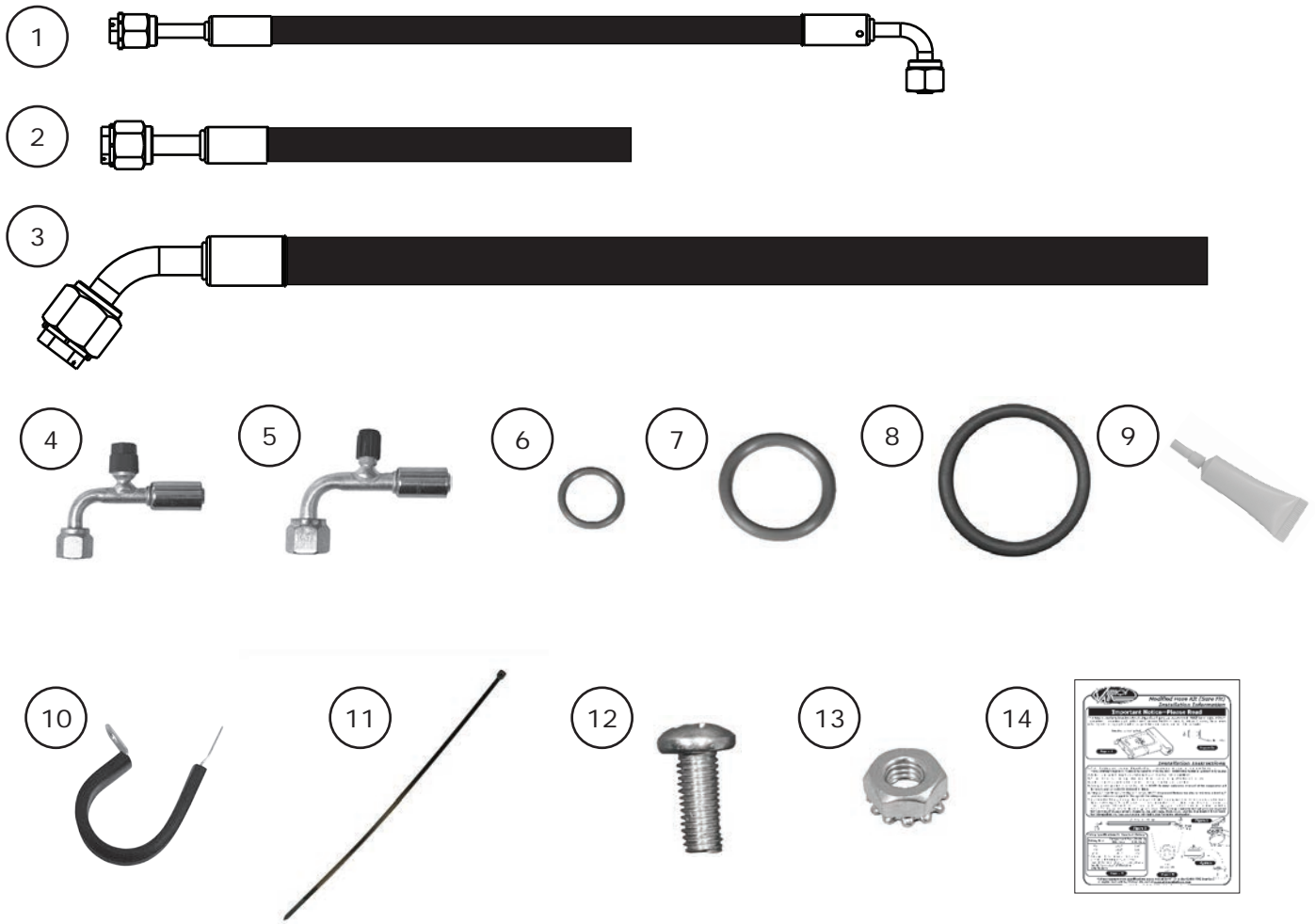


www.vintageair.com

# Packing List: 1970-72 Chevrolet Chevelle Reduced Barrier Modified Hose Kit (524469)

No.	Qty.	Part No.	Description
1.	1	092114	Hose, #6 A/C, Drier/Evaporator, Reduced Barrier
2.	1	092119	Hose, #8 A/C, Compressor/Condenser, Modified, RB
3.	1	092120	Hose, #10 A/C, Evaporator/Compressor, Modified, RB
4.	1	355320	Fitting, #8, 90° with Service Port, RB
5.	1	355330	Fitting, #10, 90° with Service Port, RB
6.	2	33857-VUF	O-ring, #6
7.	2	33858-VUF	O-ring, #8
8.	2	33859-VUF	O-ring, #10
9.	1	41117-VUP	Refrigerant Oil
10.	1	31601-VUD	Adel Clamp, 1" I.D.
11.	5	21300-VUP	Tie Wrap, 11"
12.	1	18250-VUB	Screw, 10-32 x 1/2", Pan Head
13.	1	18251-VUB	Nut with Star Washer, 10-32
14.	1	900002	Instruction, Modified Hose Kit

Checked By: \_\_\_\_\_  
Packed By: \_\_\_\_\_  
Date: \_\_\_\_\_



**NOTE: Images may not depict actual parts and quantities.  
Refer to packing list for actual parts and quantities.**