

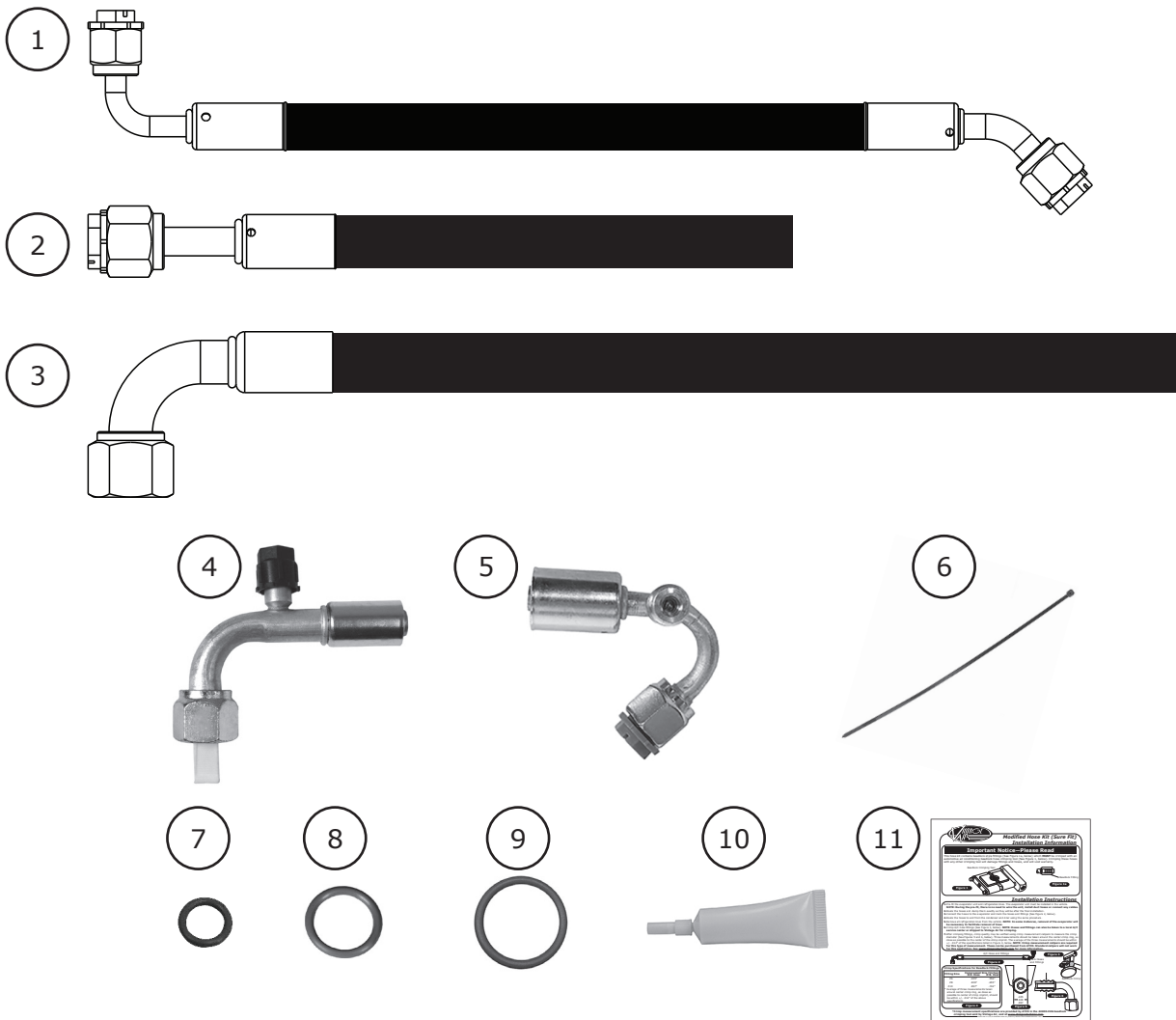


www.vintageair.com

Packing List: 1964-65 Falcon/Ranchero Reduced Barrier Modified Hose Kit (524484)

No.	Qty.	Part No.	Description
1.	1	086044	Hose, #6 A/C, Drier/Evaporator, Reduced Barrier
2.	1	086046	Hose, #8 A/C, Compressor/Condenser, Reduced Barrier, Modified
3.	1	092077	Hose, #10 A/C, Compressor/Evaporator, Reduced Barrier, Modified
4.	1	355330	Fitting, #10, 90° with Service Port, Reduced Barrier
5.	1	355420	Fitting, #8, 135° with Service Port, Reduced Barrier
6.	6	21300-VUP	Tie Wrap, 11"
7.	2	33857-VUF	O-ring, #6
8.	2	33858-VUF	O-ring, #8
9.	2	33859-VUF	O-ring, #10
10.	1	41117-VUP	Refrigerant Oil
11.	1	900002	Instruction, Modified Hose Kit

Checked By: _____
Packed By: _____
Date: _____



**NOTE: Images may not depict actual parts and quantities.
Refer to packing list for actual parts and quantities.**