



www.vintageair.com

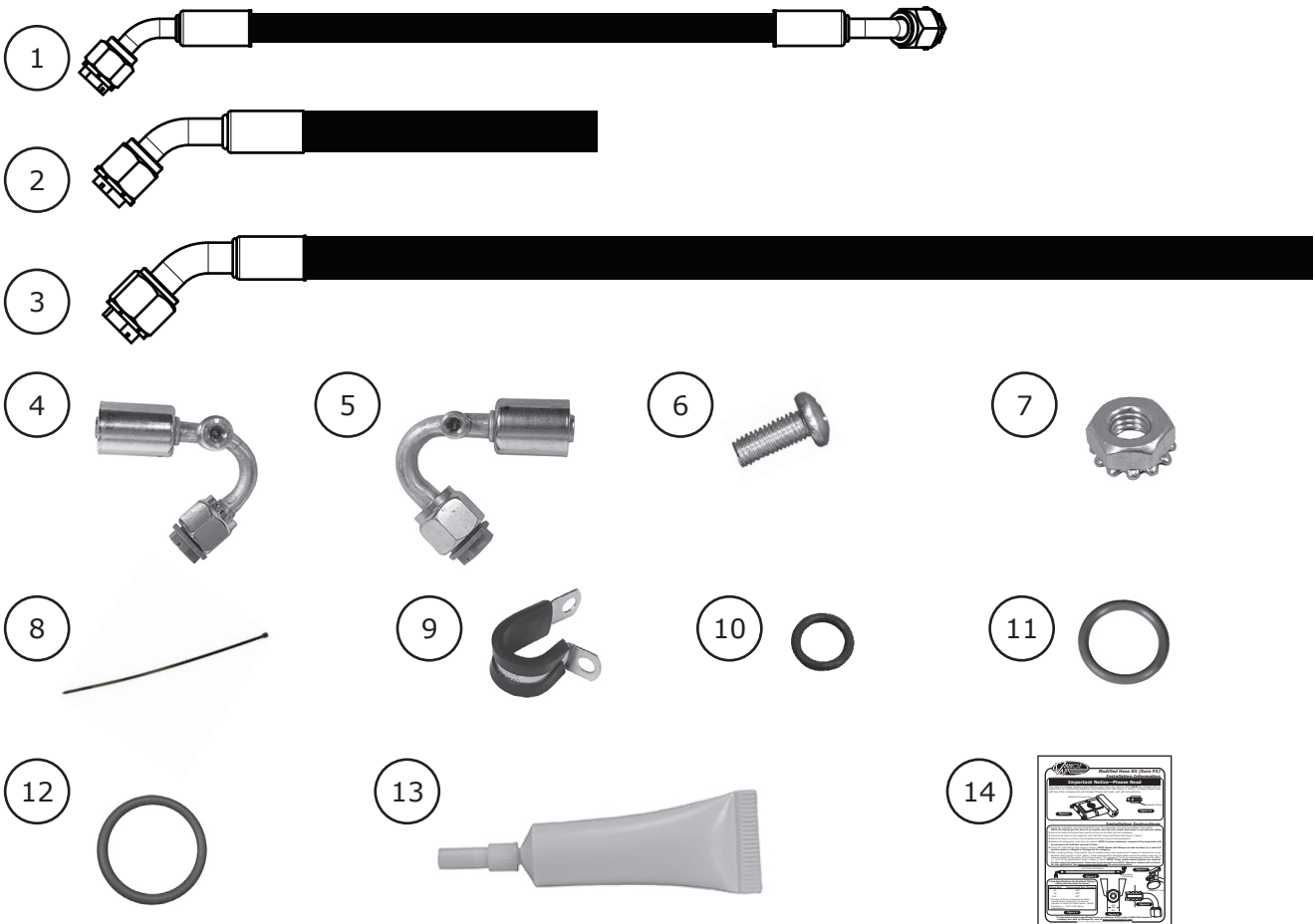
Packing List: 1968 Chevrolet Nova Reduced Barrier Modified Hose Kit (526769)

No.	Qty.	Part No.	Description
1.	1	096319	Hose, #6 A/C, Drier/Evaporator, Reduced Barrier
2.	1	096322	Hose, #8 A/C, Modified, Reduced Barrier
3.	1	096323	Hose, #10 A/C, Modified, Reduced Barrier
4.	1	355420	Fitting, #8, 135° with Service Port, Reduced Barrier
5.	1	355430	Fitting, #10, 135° with Service Port, Reduced Barrier
6.	1	18250-VUB	Screw, 10-32 x 1/2", Pan Head
7.	1	18251-VUB	Nut with Star Washer, 10-32
8.	5	21300-VUP	Tie Wrap, 11"
9.	1	31601-VUD	Adel Clamp, 1" I.D.
10.	2	33857-VUF	O-ring, #6
11.	2	33858-VUF	O-ring, #8
12.	2	33859-VUF	O-ring, #10
13.	1	41117-VUP	Refrigerant Oil
14.	1	900002	Instruction, Modified Hose Kit

Checked By: _____

Packed By: _____

Date: _____



**NOTE: Images may not depict actual parts and quantities.
Refer to packing list for actual parts and quantities.**